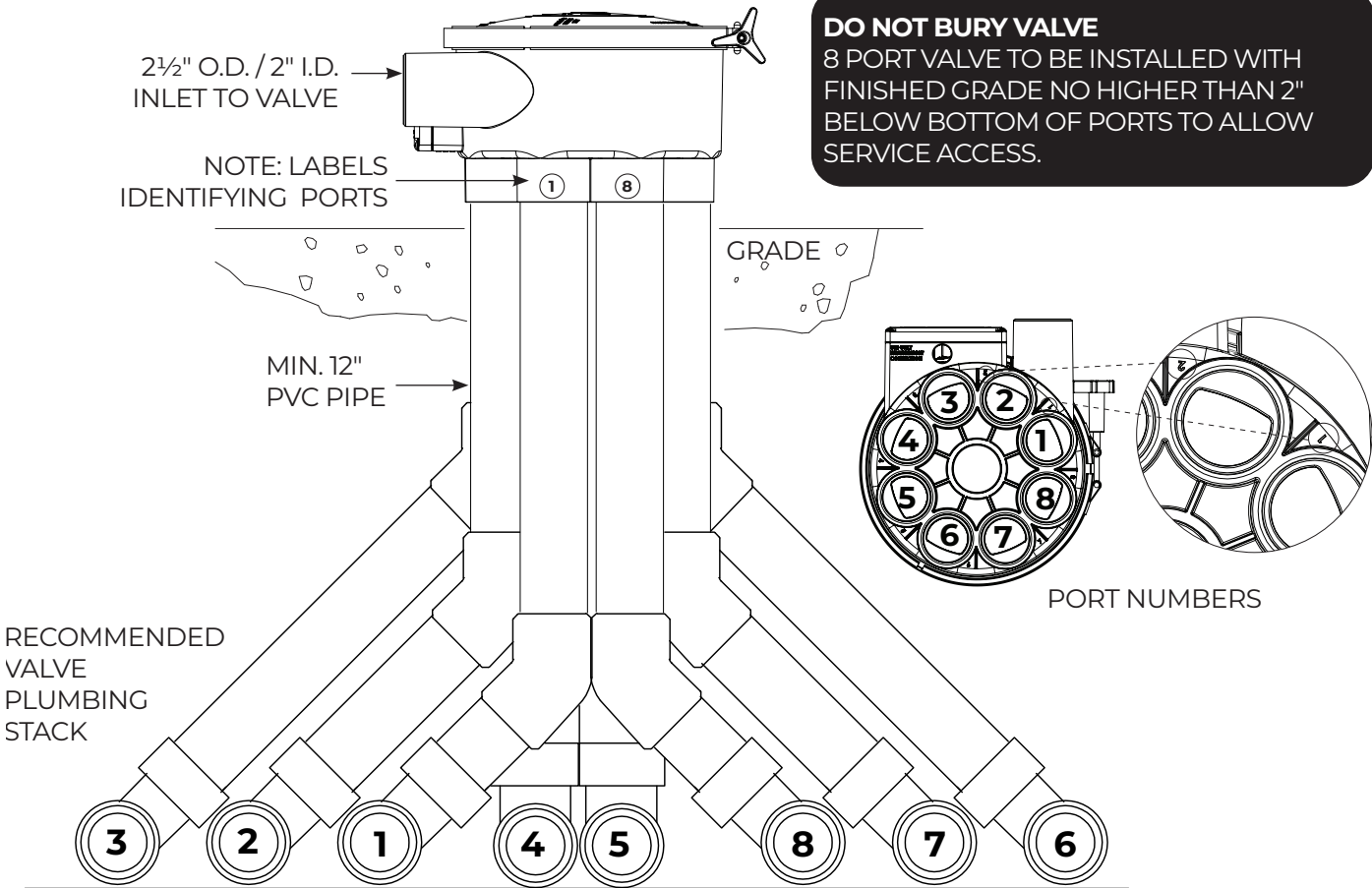


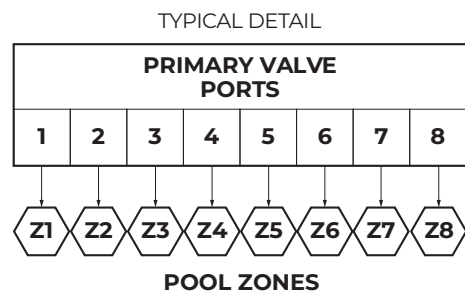
PUL CONEKT 8-PORT VALVE PLUMBING

VALVE PLUMBING STACK



DO NOT BURY VALVE
 8 PORT VALVE TO BE INSTALLED WITH FINISHED GRADE NO HIGHER THAN 2" BELOW BOTTOM OF PORTS TO ALLOW SERVICE ACCESS.

Important: The valve has port numbers molded into the shell on the bottom and port 1 and 8 is identified with a sticker on the side. The valve and system **must be** plumbed in accordance with the pool plan to assure proper operation. Valve "port numbers" and cleaning system "zone numbers" are not always the same. Follow the zone configuration diagram on pool plans when plumbing zones.

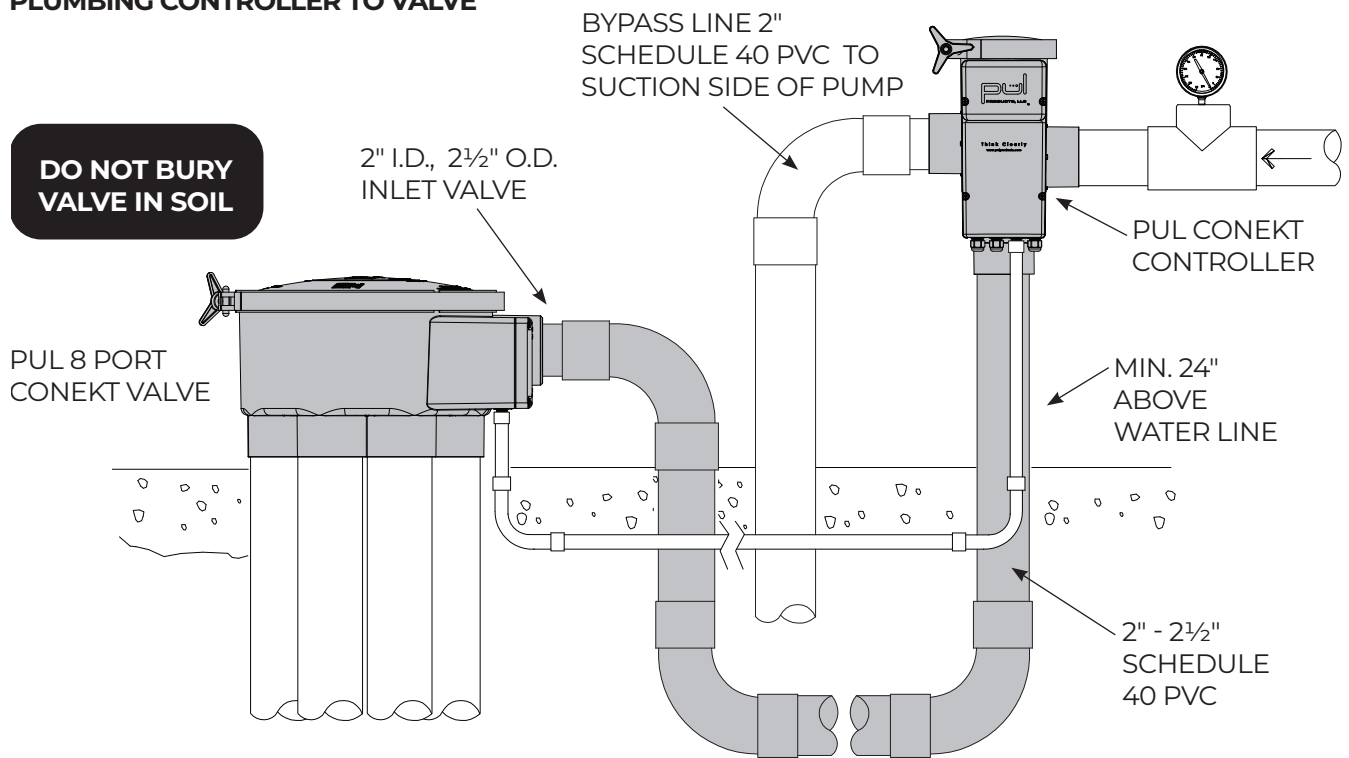


Refer to the pool plan for the number of zones and the corresponding ports. A zone mapping chart similar to the Typical Detail image on the right, identifies which port is plumbed for which zone. It varies from plan to plan.

GLUING INSTRUCTIONS

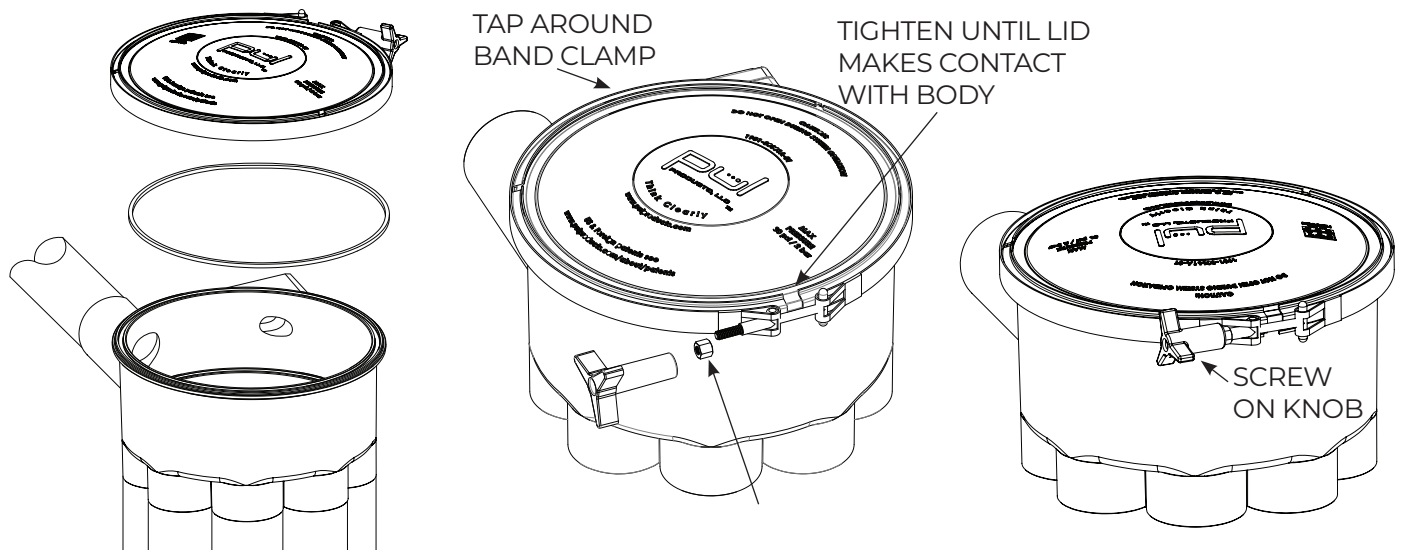
1. Remove band clamp, lid, and o-ring (save o-ring).
2. Apply PVC primer twice to the bottom ports of the valve body, then apply PVC glue to the bottom ports. **(IPS WELD-ON P68 Primer and 711 Glue or 705 Glue or equivalent).**
3. Apply PVC primer and glue to the pipes. Push pipes into ports while making a 1/4 turn until it reaches the stop.
4. Always glue with the valve body in the upright position. Do not allow glue to run into valve body. Wipe off excess glue.
5. Allow 24 hour before pressure testing.

PLUMBING CONTROLLER TO VALVE



REPLACING VALVE LID AND PRESSURE TEST VALVE

WARNING: DO NOT PRESSURE TEST WITH CARTRIDGE INSTALLED. BEFORE PRESSURE TESTING, ENSURE THE LID IS SECURE WITH THE SAFETY NUT PLACE. DO NOT STAND OVER THE VALVE. FAILURE TO DO SO MAY CAUSE BODILY INJURY, OR DEATH



STEP 1: REPLACE O-RING & LID

Clean debris from valve body and install the o-ring. Place the lid on the valve body. Secure the band clamp to the valve body and lid.

STEP 2: SECURE THE BAND CLAMP

Screw on the safety nut first. As you tighten the clamp the gap between the lid and the valve body should decrease. Tighten until the lid makes contact with the valve body. While tightening the band clamp, tap on the clamp with a screwdriver to properly secure the clamp.

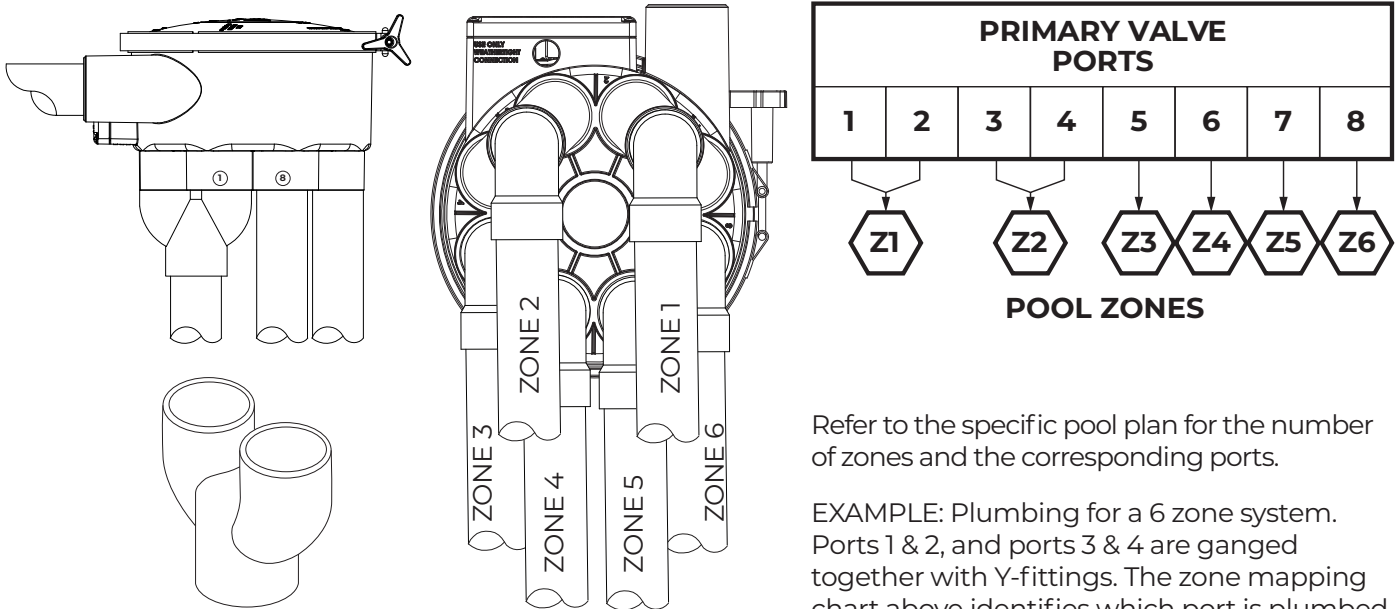
STEP 3: FINAL INSPECTION

Screw on the knob.

PRESSURE TEST

Max. 40 PSI
(Recommended 30-35 PSI)

GANGING MULTIPLE PORTS



The PUL Y-fitting can be plumbed directly into the valve base

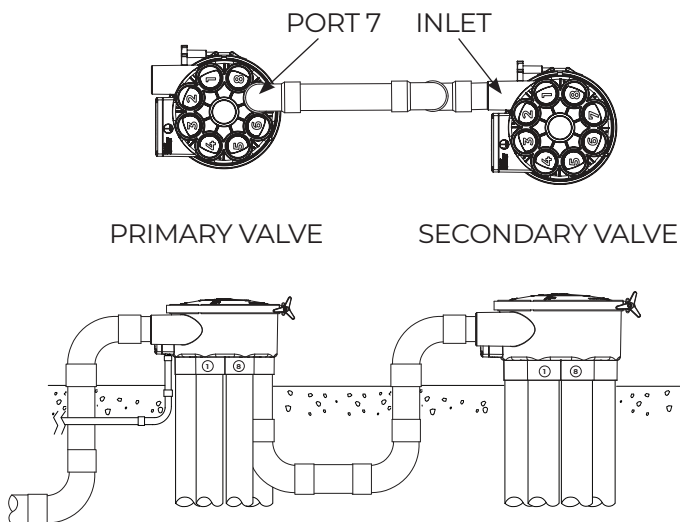
Refer to the specific pool plan for the number of zones and the corresponding ports.

EXAMPLE: Plumbing for a 6 zone system. Ports 1 & 2, and ports 3 & 4 are ganged together with Y-fittings. The zone mapping chart above identifies which port is plumbed to which zone.

NOTE: Follow the port to zone diagram provided in the pool plan. DO NOT make modifications to connections otherwise the pool will not clean properly.

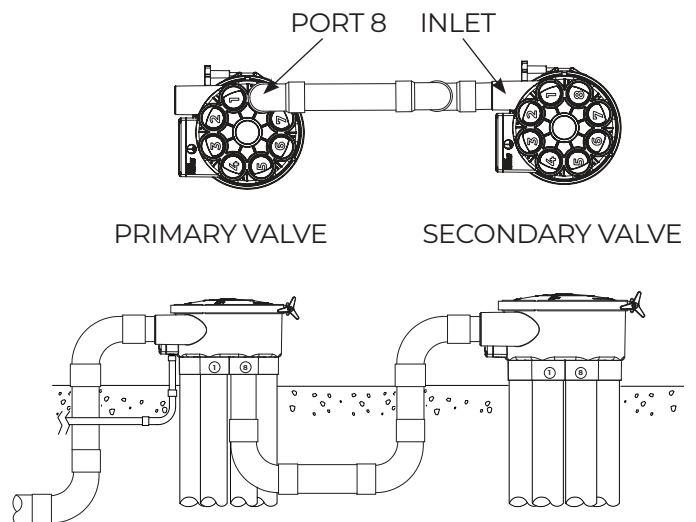
PLUMBING TO A SECONDARY VALVE

The valves will be labeled PRIMARY VALVE or SECONDARY VALVE. Verify the proper valve is plumbed in the proper position.



SINGLE PUMP SYSTEM

Connect the primary valve to the secondary valve by plumbing port 7 of the primary valve to the inlet of the secondary valve. Port 8 in the primary valve is for the Hydro-Trough if applicable.



DUAL PUMP SYSTEM

Connect the primary valve to the secondary valve by plumbing port 8 of the primary valve to the inlet of the secondary valve. The Hydro-Trough is supplied from the main filtration system.