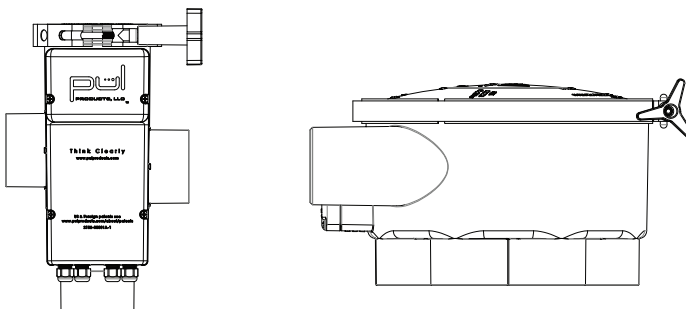
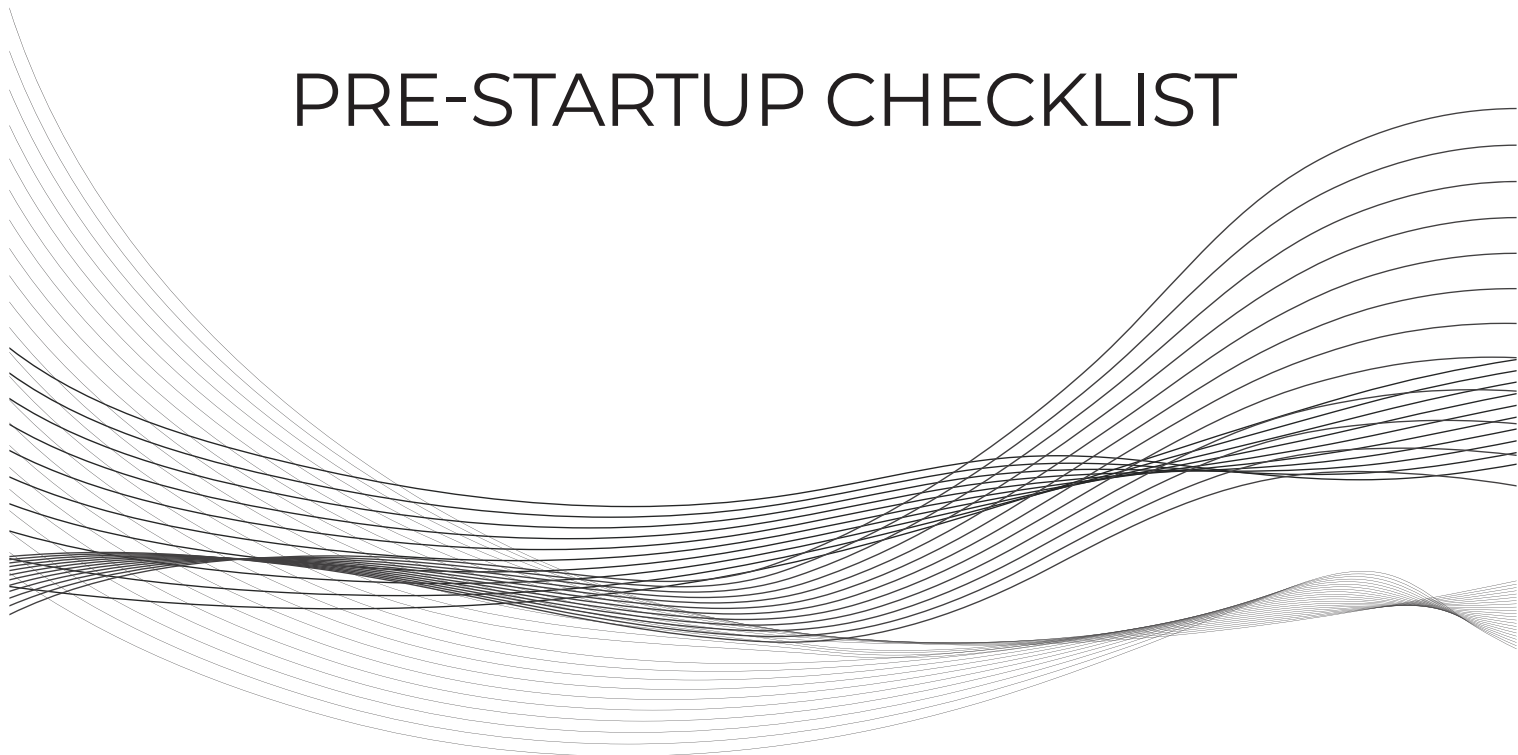




PRE-STARTUP CHECKLIST



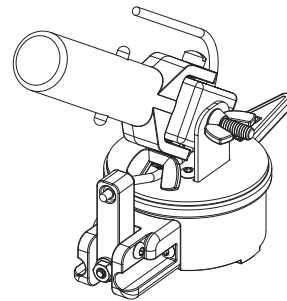
1550 E. Orangewood Ave.
Suite 3
Phoenix, AZ 85020

PUL PRE-STARTUP CHECKLIST

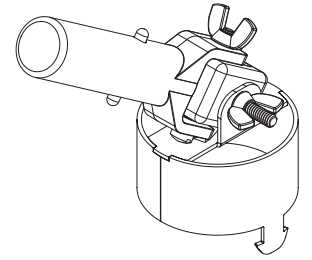
Follow this pre-startup procedures completely to ensure easy startup and optimal performance of the PUL Conekt System. For further assistance contact your PUL representative or call (602) 278-3531.

TOOLS REQUIRED:

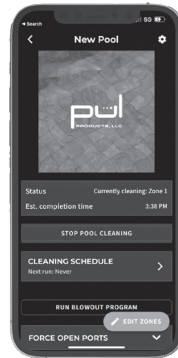
- 1. PUL Nozzle Aiming Tool
- 2. PUL Nozzle Install Tool
- 3. Telescoping pool service pole
- 4. IOS / Android smart phone with PUL CONEKT APP installed



PUL nozzle aiming tool



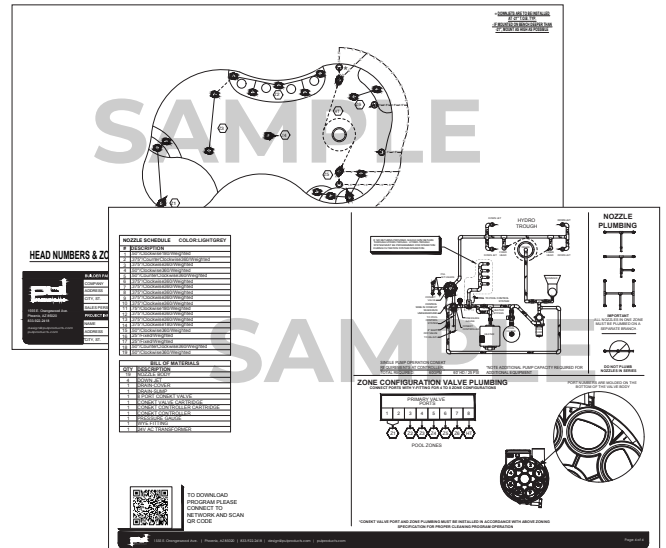
PUL nozzle install tool



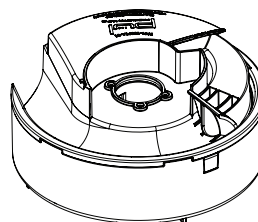
Scan QR code to download PUL Conekt app

REQUIRED MATERIALS AND EQUIPMENT

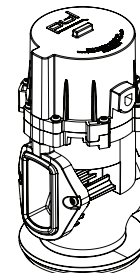
- 1. Project specific PUL plans with QR code.
- 2. Project specific startup kit includes:
 - a. Box(s) of project specific PUL JETS
 - b. CONEKT 8 Port Valve cartridge(s)
 - c. CONEKT Controller cartridge(s)
 - d. 24V transformer(s)



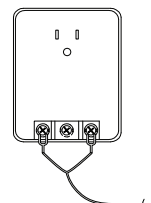
Box(s) of PUL JETS



PUL CONEKT 8 port valve cartridge



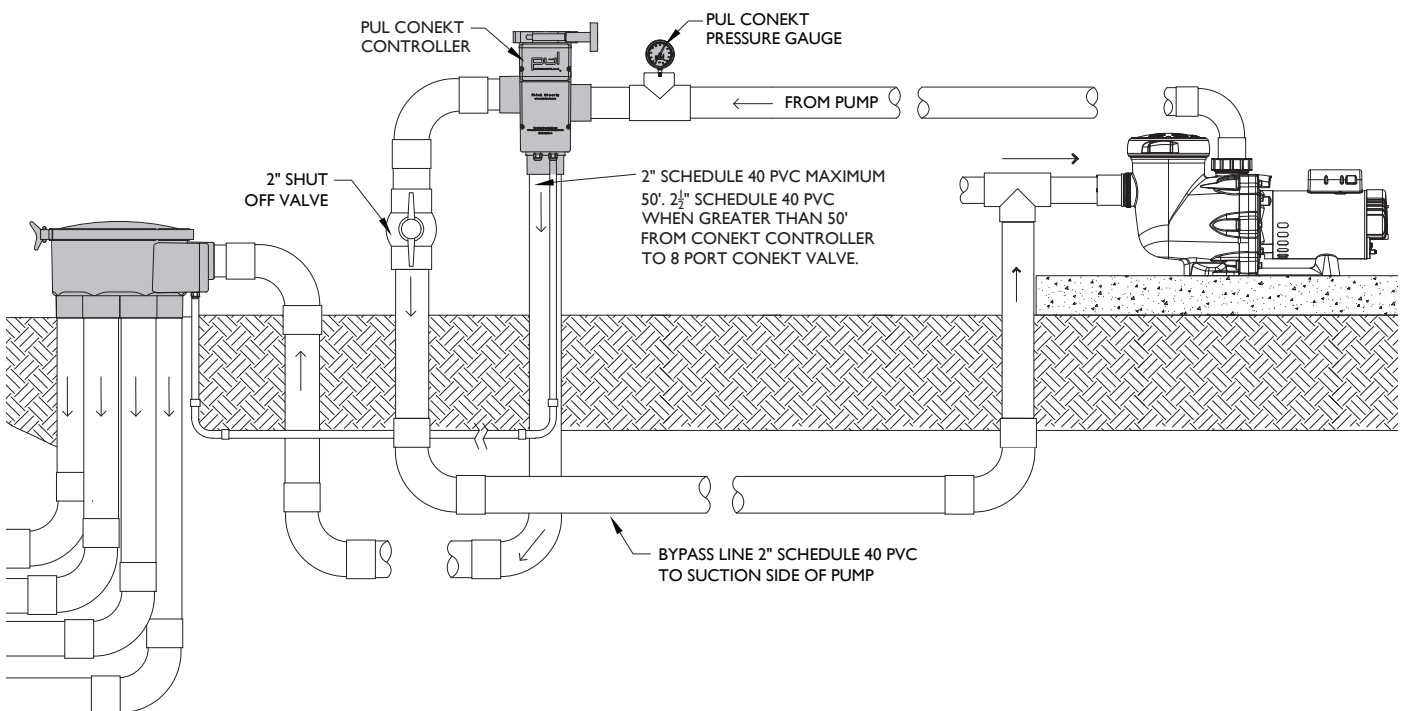
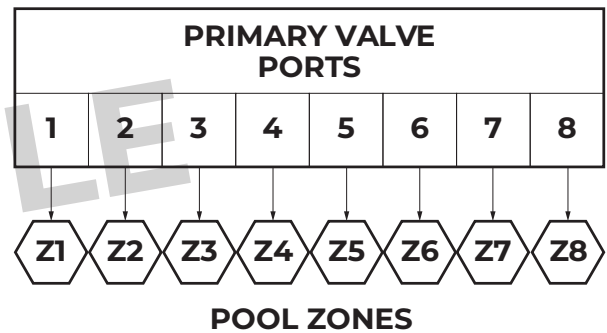
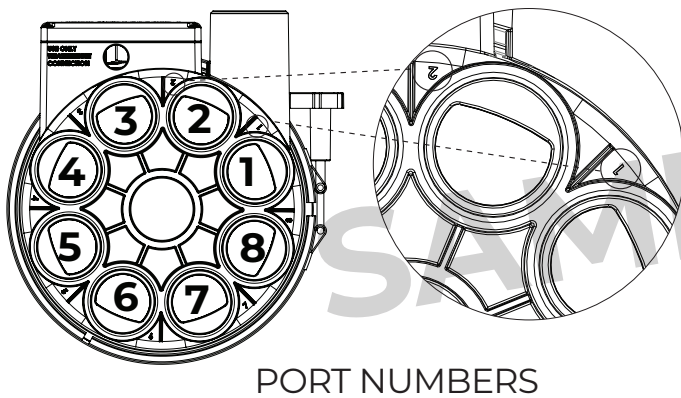
PUL CONEKT controller cartridge



24V transformer

CHECKLIST

- ✓ 1. Verify all nozzle zones are properly plumbed to the correct port numbers on the CONEKT 8 Port Valve(s) per the specific pool plan provided by PUL PRODUCTS for the project.
- ✓ 2. Ensure the pressure gauge is installed on the inlet to the PUL CONEKT Controller.
- ✓ 3. Verify the bypass from the PUL CONEKT Controller is properly plumbed to the inlet side of the cleaning system pump **IMPORTANT: A SHUT OFF VALVE MUST BE INSTALLED IN THE BYPASS LOOP AS SHOWN.**



LOW VOLTAGE / CONTROLS WIRING & TERMINATIONS:

CHECKLIST

- ✓ 1. Verify the power wire from PUL CONEKT Controller with spade terminals installed and connected to 24v AC transformer with the required length to reach the 120-volt receptacle. Verify the receptacle is live.
- ✓ 2. Verify the “pool control system” wire from PUL CONEKT Controller terminated at the appropriate pool control system relay.
- ✓ 3. Verify the 4-conductor cable is routed from PUL CONEKT Controller to PUL CONEKT 8-Port Valve with proper terminations. Take care to assure wires are securely connected and not shorted. Verify wires are routed utilizing chord grips provided or in weather tight conduit.

