

pulcollekt_LD1

PUL Collekt_LD1 Installation Instructions and Owner's Manual

SUBMERGED SUCTION OUTLET FOR INSTALLATION AS A SINGLE
UNBLOCKABLE DRAIN OR IN A MULTI-DRAIN SYSTEM

MAXIMUM FLOW – **256 GPM FLOOR & WALL**

THE TOTAL SYSTEM FLOW (GPM) SHALL NEVER EXCEED THE
MAXIMUM CERTIFIED FLOW RATING.



This Drain is certified to meet or exceed all requirements of the Virginia
Graeme Baker Pool and Spa Safety Act ANSI/APSP – 16 – 2020 & NSF 50

Certification testing performed by IAPMO: Test Report # 3679-24001.

ATTENTION

Installers must read and follow these instructions. Once complete provide these instructions to the facility owner to keep for further reference. Follow all codes and regulations that apply to the design, installation, and use of suction outlet fittings.

WARNING

The PUL Products Collekt LD1 Drain System must be installed in accordance with PUL's written instructions manual, and in conformity with applicable Federal, State, Local, and Swimming pool industry building and safety codes.

PUL Products LLC – 503 E Watkins St – Phoenix, AZ 85004

Phone: (833) 922 – 2418

info@pulproducts.com – www.pulproducts.com

US & Foreign patents and patents pending see www.pulproducts.com/about/patents/.

pulcollekt_LD 1

IMPORTANT SAFETY INSTRUCTIONS: PLEASE REVIEW THE OWNER'S MANUAL AND INSTALLATION INSTRUCTIONS IN ITS ENTIRETY AND HEED ALL SAFETY INFORMATION. Failure to follow these instructions and warnings can result in DEATH OR SERIOUS INJURY. **ANY DEVIATION FROM THE INSTRUCTIONS DEFINED HERE OR MODIFICATION OF THE DRAIN ITSELF WILL VOID THE DRAINS SAFETY CERTIFICATION.**

SUCTION ENTRAPMENT HAZARD:

DEATH or SERIOUS INJURY can result if a drain cover or grate is not installed and used correctly.

- Pool & spa pumps produce high levels of suction and move high volumes of water, which can cause death or serious injury if a person comes in close proximity to pool or spa drains.
- Keep clear of pool and spa drains to avoid death or serious injury from suction.

HAIR ENTRAPMENT: Hair can become entangled in a suction outlet.

LIMB ENTRAPMENT: Any limb inserted into a suction outlet sump or cover that is broken, cracked, missing, or not securely/properly installed can result in a mechanical bind or swelling of the limb.

BODY ENTRAPMENT: A suction applied to a large portion of a body can result in entrapment.

MECHANICAL ENTRAPMENT: An item that is attached to or around your body (e.g. swimsuit, necklace, hair extension/decoration, fingers/toes, etc.) that becomes caught in a suction outlet opening could result in mechanical entrapment.

DISEMBOWELMENT/EVISCERATION: Avoid sitting directly on any suction outlet. The suction created can cause severe intestinal damage.

MAINTENANCE INSTRUCTIONS & WARNINGS:

DEATH or SERIOUS INJURY can result from pool or spa drain covers or grates that are clogged by debris.

- All pool and spa drain covers may become obstructed by debris and should be cleaned periodically due to clogging from debris, such as pieces of plastic, hair, fabric, twigs, leaves, seeds, etc.
- Clogging of the drain cover will increase the suction effect and increase the likelihood of death or serious injury from the hazards listed above.
- A clogged drain can negatively affect the safety of the drain.

DEATH or SERIOUS INJURY will result if a pool or spa drain cover or grate is not installed, missing, or broken.

- Inspect the drain, including fasteners, each operational day for damage or tampering to ensure that the drain covers/grates and fasteners are properly in place and secured.
- Ensure that the drain covers are not discolored, damaged, cracked, broken, brittle, loose, clogged, improperly secured, or missing. These conditions increase the chance of death or serious injury from entrapment.
- If the drain cover or interior finish securing the drain to the pool shell is found to be damaged, cracked, broken, loose, clogged, improperly secured, or missing, you should:
 - **CLOSE THE POOL OR SPA IMMEDIATELY;** and,
 - Post a closure notice and keep the pool or spa closed until an appropriate ANSI/APSP -16-2011 certified drain cover is properly installed.
- No modification shall be made to a SOFA structure or flow path unless the new configuration has been certified as new SOFA.
- The drain shall never be located on seats or backrest for seats.
- Any system modification that increases the flow rate of the circulation system shall require reevaluation of the drain system to ensure that the maximum flow rating is not exceeded.
- **READ, FOLLOW, AND UNDERSTAND ALL INSTRUCTIONS AND WARNINGS – SAVE THESE INSTRUCTIONS!**

pulcollekt_LD1

INCLUDED COMPONENTS

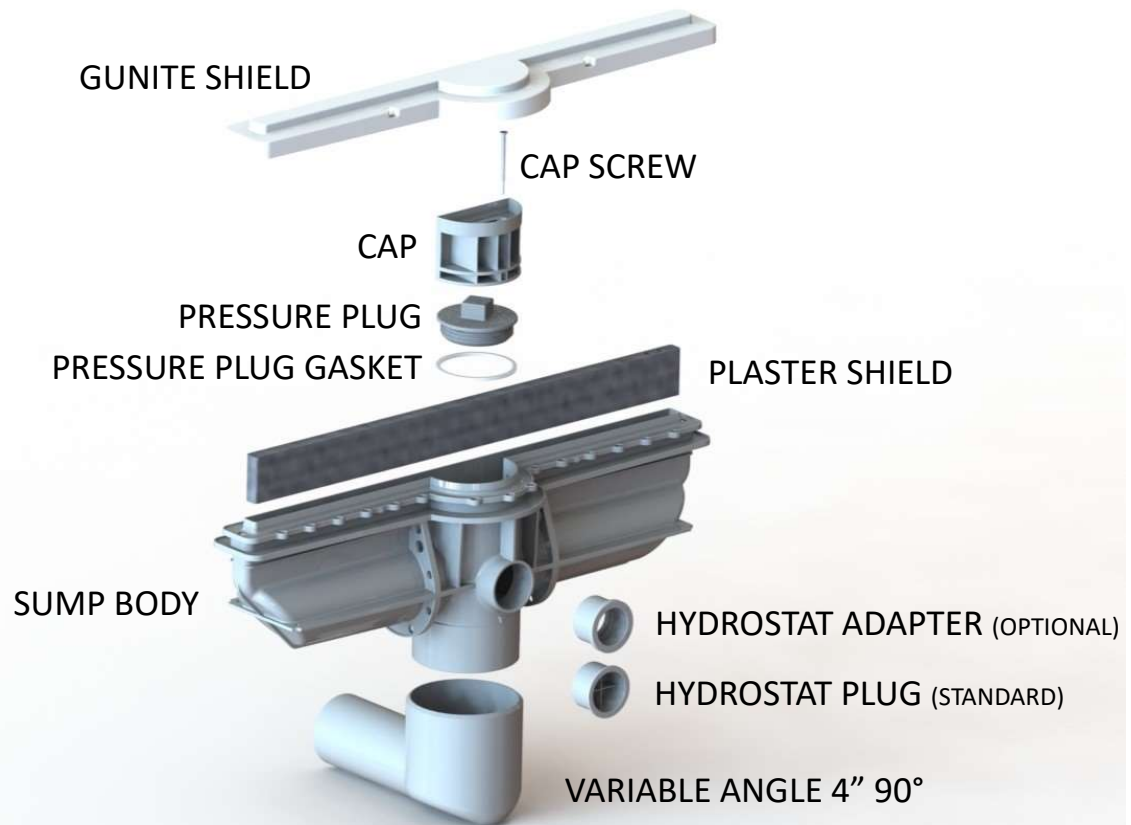


Figure 1:

DESCRIPTION	PART #
COMPLETE DRAIN ASSEMBLY	2205-00001A-01
GUNITE SHIELD	2205-20013A-01
CAP SCREW	2205-80002A-01
FLIP CAP	2205-20007A-01
PRESSURE PLUG	2205-20009A-01
PRESSURE PLUG GASKET	2205-40018A-01
PLASTER SHIELD	2205-20017A-01
HYDROSTAT ADAPTER	2205-20005A-01
HYDROSTAT PLUG	2205-20014A-01
VARIABLE ANGLE 4" 90°	2205-20015A-01

Service Life: 20 Years - PULcollekt_LD1 drain components must be replaced within this timeframe. Service life begins the month & year the drain was installed with or without water.

pulcollekt_LD1

DRAIN DIMENSIONS:

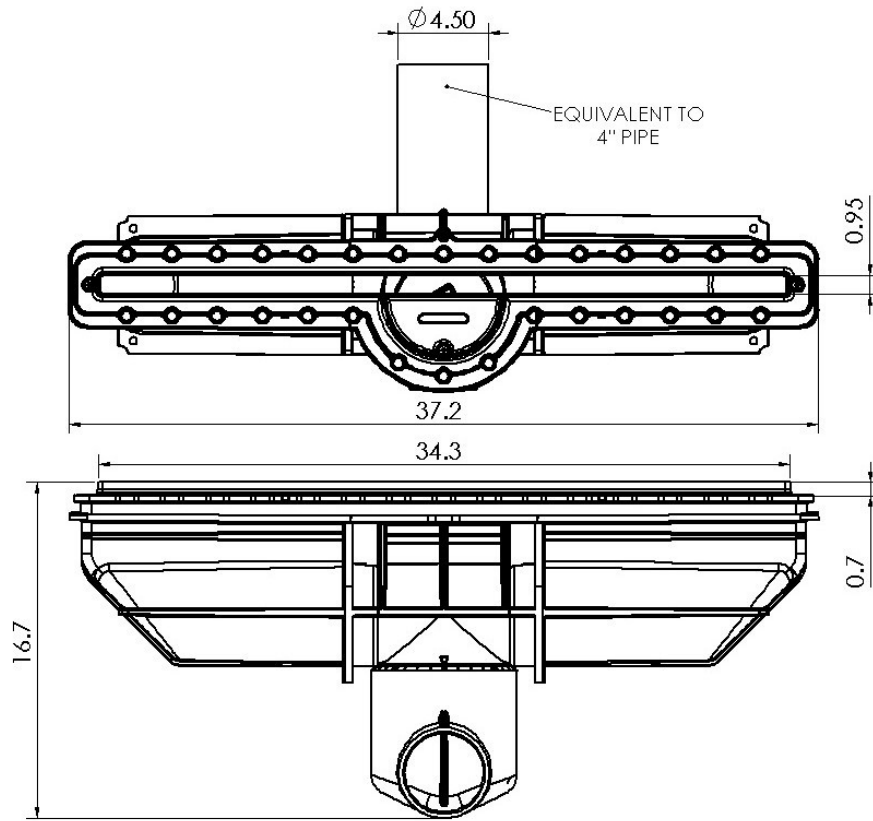


Figure 2:

HEAD LOSS CURVE:

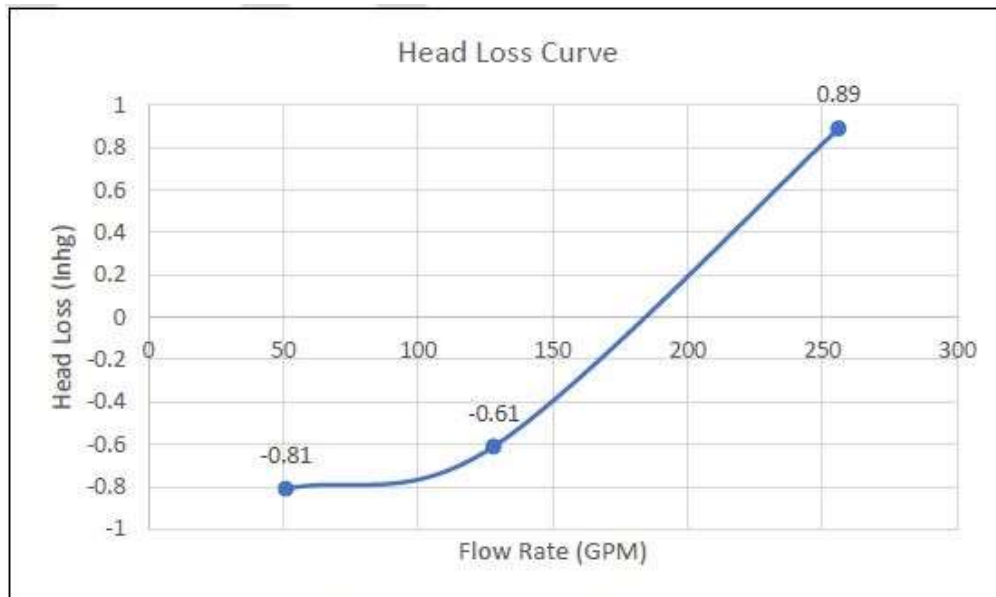


Figure 3: Head Loss Curve, SOFA model PUL Collekt_LD1

pulcollekt_LD1

INSTALLATION:

The PUL Collekt LD1 Drain has been certified to be in full compliance with VGB safety requirements and is only available to certified contractors.

Installation of PUL Products Collekt LD1 Drain System must be performed by a properly trained certified contractor following the exact installation instructions defined in this document.

The PUL Collekt LD1 drain is certified as an **“UNBLOCKABLE”** and therefore can be installed as a **SINGLE SUCTION OUTLET**, no other suction fittings are required.

The top surface of the PUL Collekt LD1 defines the bottom of the pool's interior finish and should be located in the center of the lowest point in the pool.

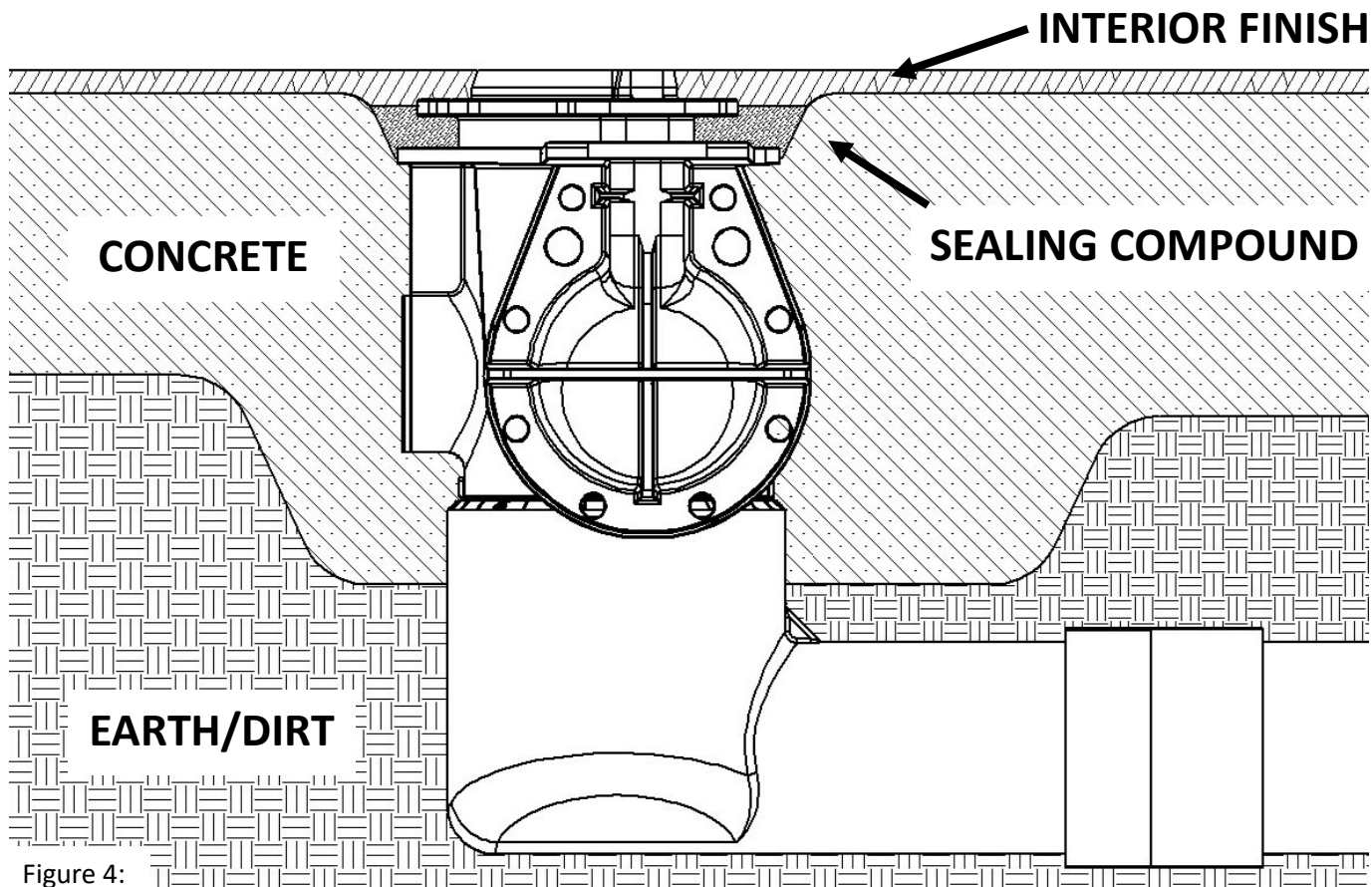


Figure 4:

FASTENERS:

All fasteners included with the PUL Collekt LD1 drain come preinstalled into the drain assembly.

Only the supplied fasteners should be used. Use of any alternate fasteners is prohibited.

START ALL FASTENERS BY HAND TO ENSURE PROPER THREAD ENGAGEMENT

DO NOT USE POWER TOOLS – HAND TOOLS ONLY

Removal of fasteners during pressure plug removal or winterization is acceptable but only the original or manufacturer supplied replacement fasteners may be used during reinstallation.

The **use of adhesives** to secure or repair any portion of the Collekt drain **is strictly prohibited**.

pulcollekt_LD1

HYDROSTATIC RELIEF VALVE

Each PUL Collekt_LD1 sump is shipped with the ability to be installed either with or without a 2" hydrostatic relief valve.

CAUTION: The port on the side of the sump is provided for the installation of a **hydrostatic relief valve only!** **NEVER CONNECT THIS PORT TO PUMP SUCTION, DOING SO WILL VOID THE SAFETY CERTIFICATION OF THIS DRAIN SYSTEM.**

This port is **not** a standard pipe fitting size and will only work with either the provided plug or hydrostat adapter.

If **no hydrostatic relief valve** is required, the installer **must glue the hydrostat plug into the sump** prior to drain installation (**Fig. 5**).

For pools requiring hydrostatic relief, the provided adapter must be glued into the side port (**Fig. 6**).

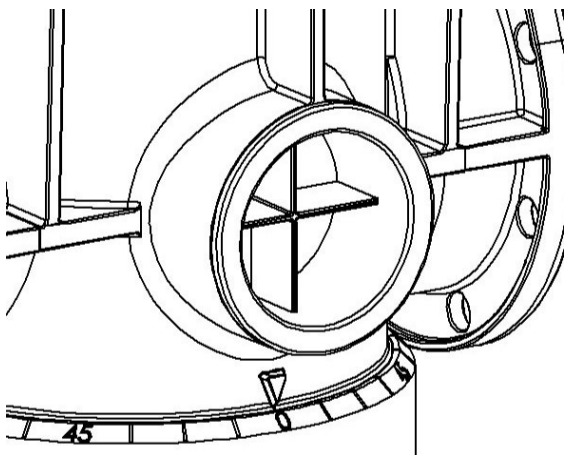


Figure 5:

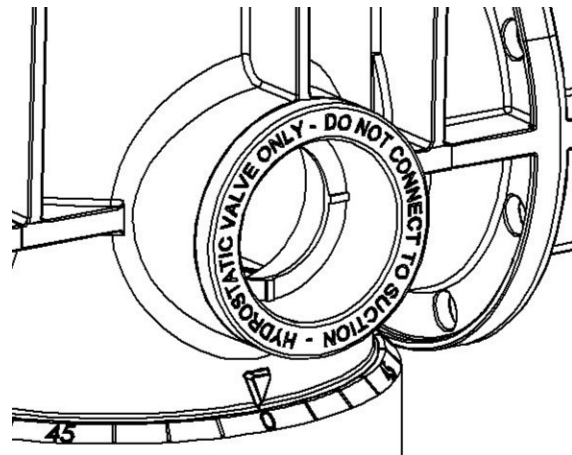


Figure 6:

If a hydrostatic relief valve is installed glue your hydrostat plumbing into the adapter and use a 90° fitting to route into your perforated pipe and gravel leach pit as shown in Figure 7.

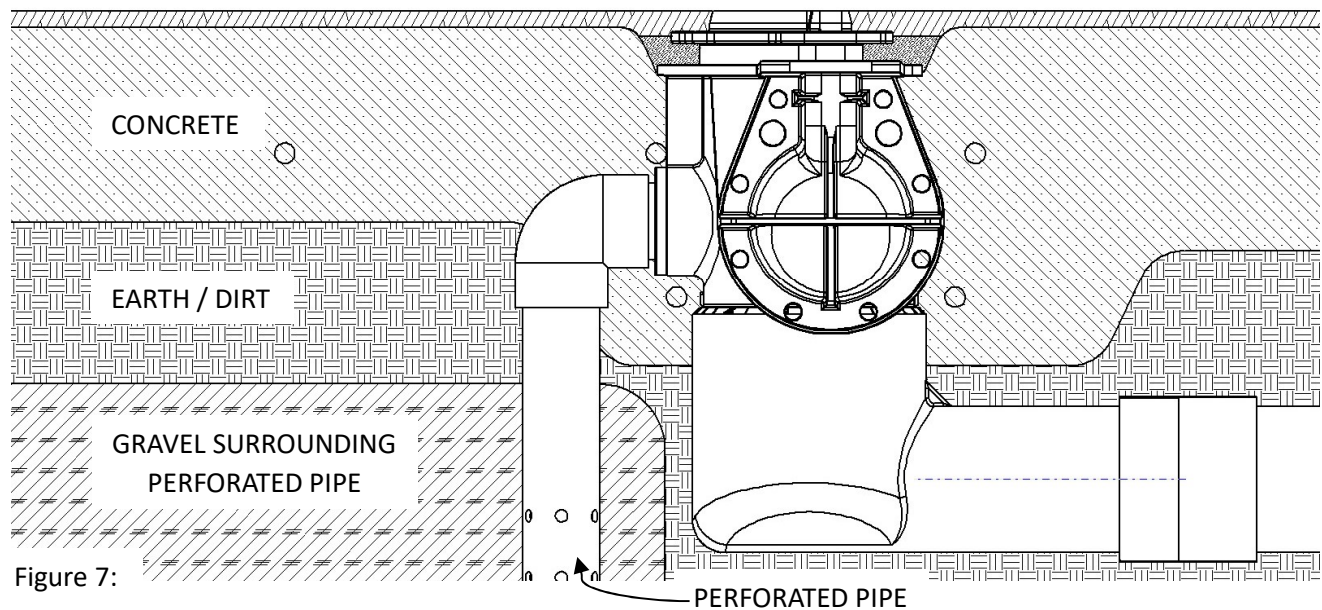


Figure 7:

VARIABLE ANGLE LOWER 90°

The PULCollekt_LD1 is delivered with the Lower 4" 90° fitting unassembled.

This allows the installer to adjust the direction of the suction line 360° while keeping the drain opening square to the edge of the pool as shown.

Aiming the 4" outlet at the point in the pool wall where the suction line exits the pool will minimize pipe run & the number of angled fittings required.

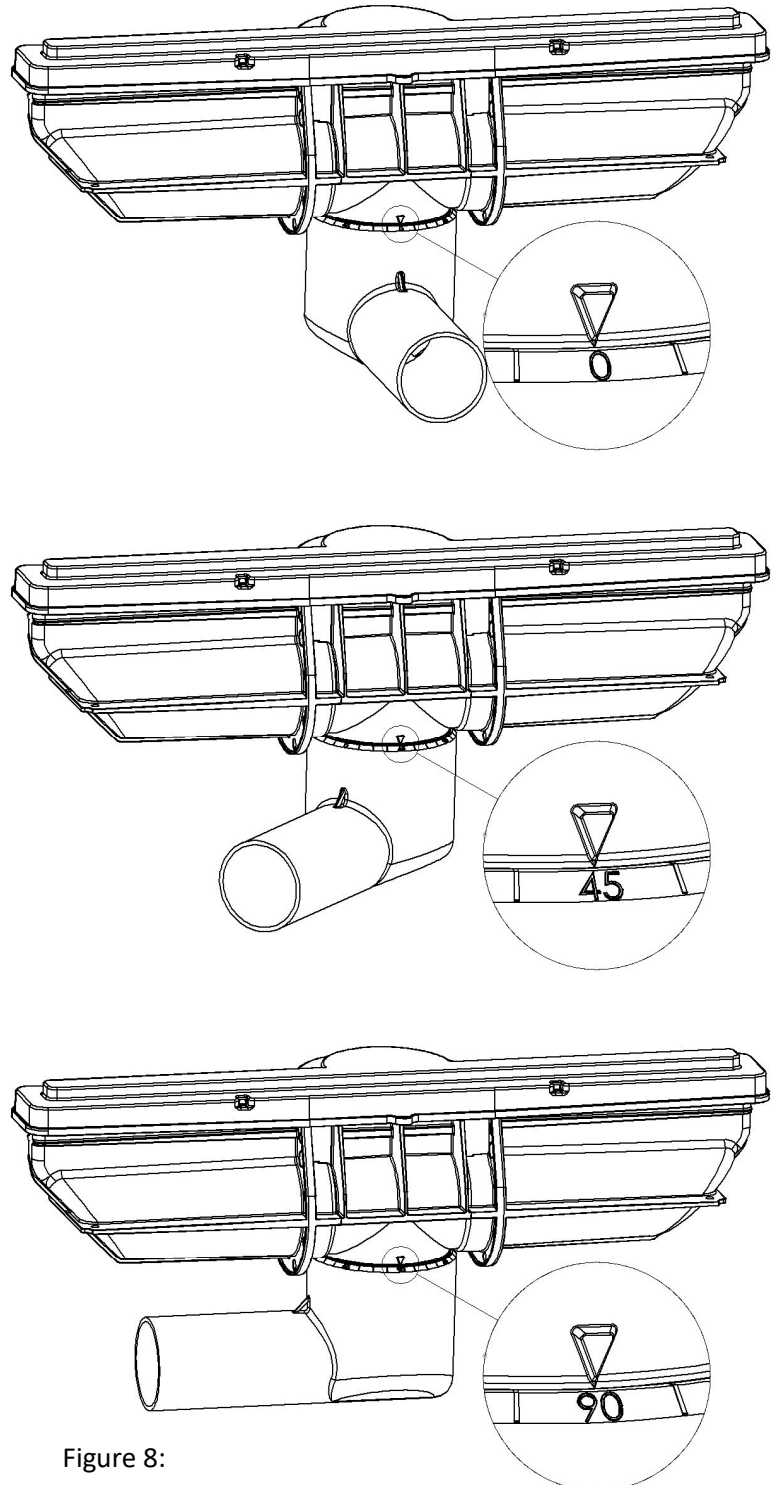


Figure 8:

pulcollekt_LD1

EXCAVATION & CONNECTING TO PLUMBING

Identify the location of the drain in the bottom of the pool, excavate the drain location to provide space for the drain & suction line.

The upper edge of the drain will determine the depth of the pool and the final location of the interior finish.

Verify that the drain is level in the excavated area using the bubble level included with each sump. (**Fig.9**)

Connect the suction side plumbing, backfill the plumbing trench and pack the dirt around the lower 90 fitting to secure the drain and maintain level.

Hammer a straight length of rebar into the dirt directly adjacent to the rebar tie-off points located at each corner of the sump. (**Fig. 10**)

Use the holes provided adjacent to the rebar tie-off points to wire-tie the drain to the vertical sections of rebar. (**Fig. 11**)

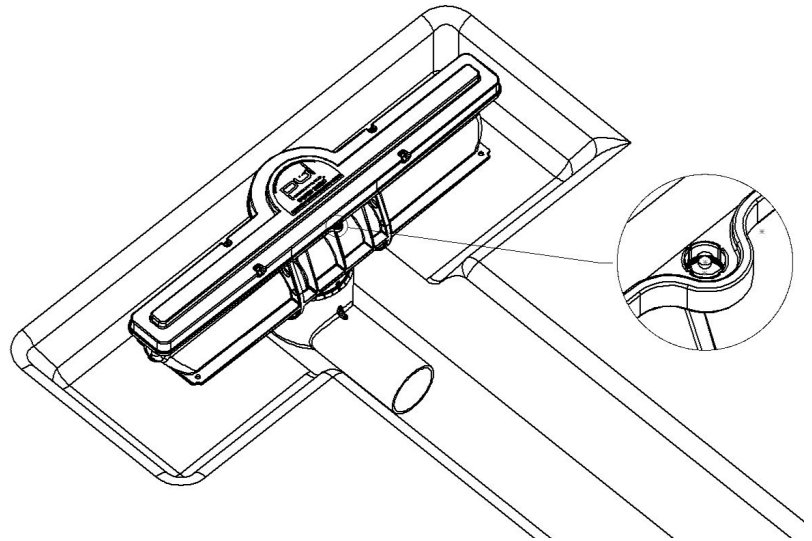


Figure 9:

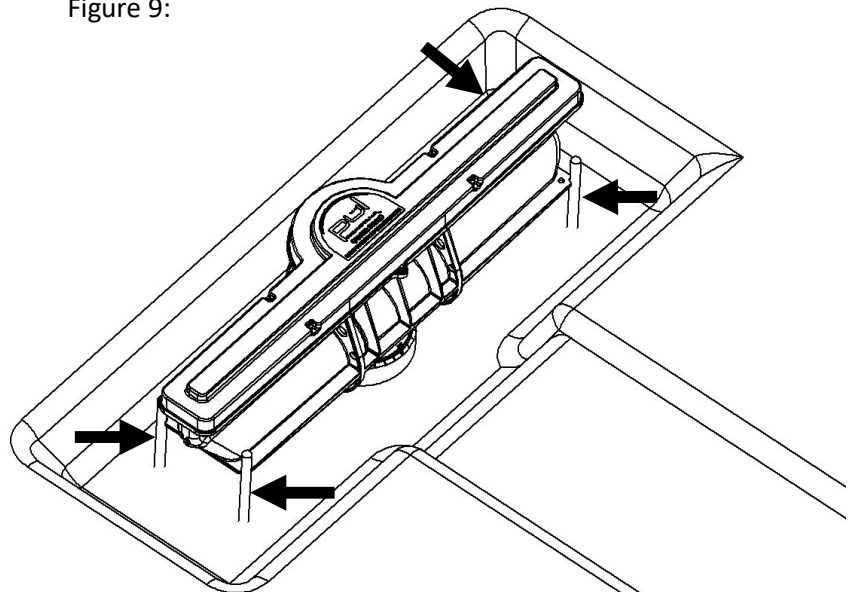


Figure 10:

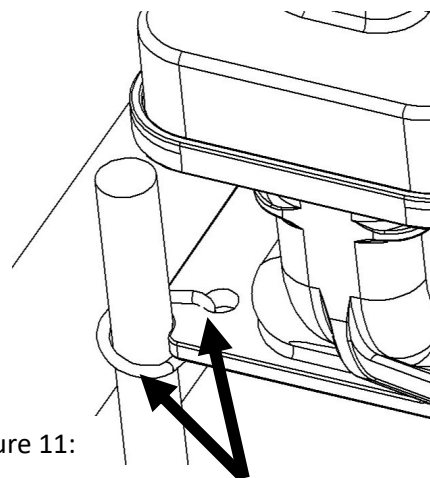


Figure 11:

pulcollekt_LD1

REBAR INSTALLATION & DRAIN TIE-IN

Lay the pool's rebar cage into the floor of the pool as normal. The rebar must be bent into a basket shape and routed below & around the drain. (**Fig. 12**)

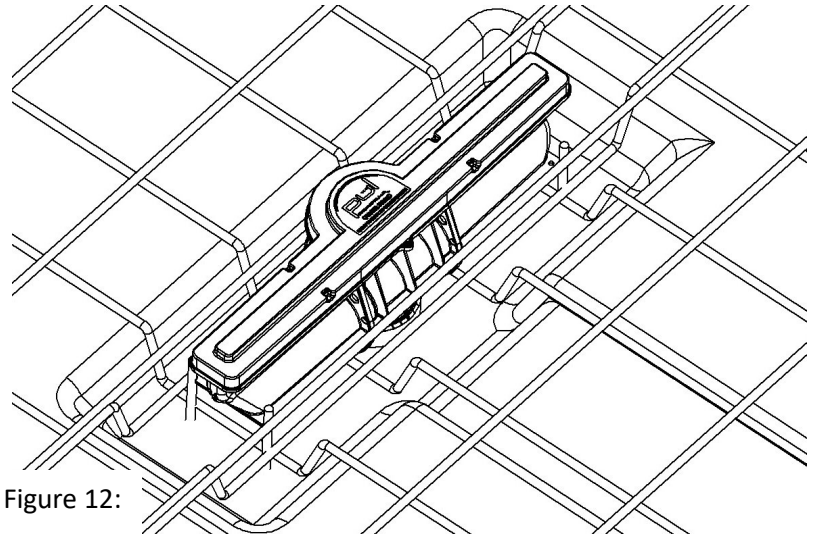


Figure 12:

The cage should be located halfway between the dirt excavation and the bottom of the sump. (**Fig. 13**)

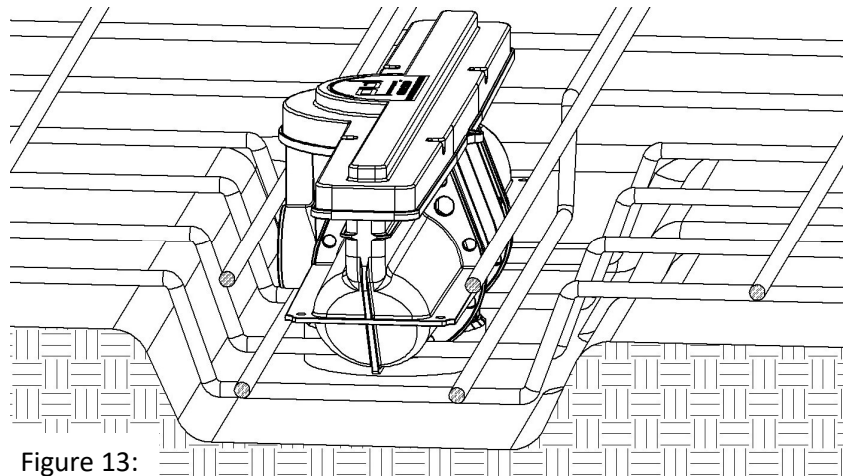


Figure 13:

Tie the cage into the four vertical sections of rebar that were wire-tied to the sump body during the plumbing phase. (**Fig. 14**)

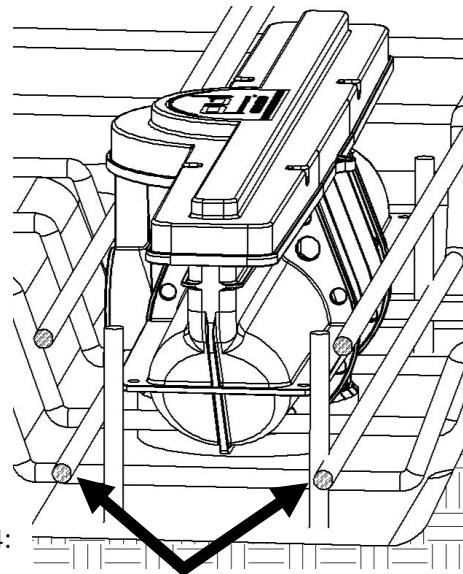


Figure 14:

GUNITE / SHOTCRETE INSTALLATION

Shoot the concrete shell of the pool as normal making sure to fill all voids surrounding the drain and rebar cage.

The concrete should finish to approximately $\frac{1}{2}$ inch below the upper edge of the drain opening. (**Fig. 15**)

Following concrete installation provide clearance around the entire Gunite Shield. The installer should be able to fit a finger between the Gunite Shield and the concrete down to the bottom edge of the shield / Gunite Flange as shown. (**Fig. 16**)

Providing sufficient clearance is critical for proper sealing of the drain, removal of the Gunite Shield and final trim adjustment prior to interior finish installation. (**Fig. 17**)

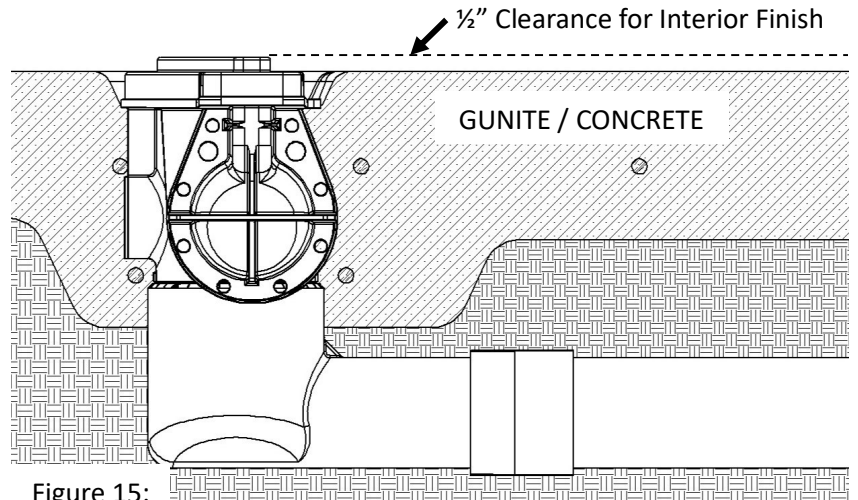


Figure 15:

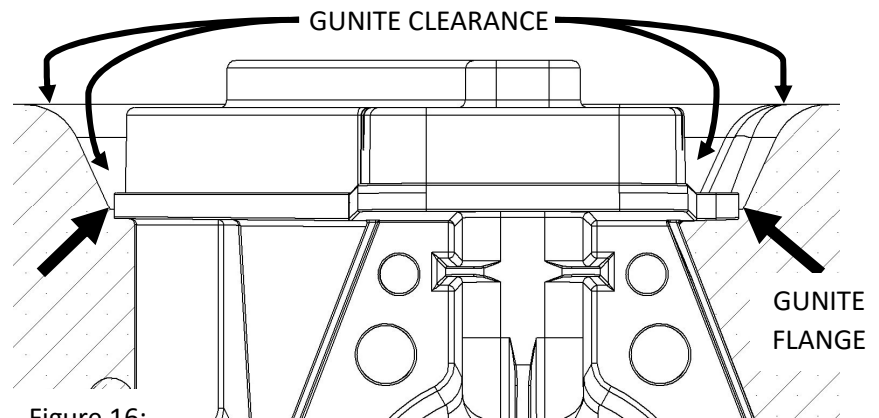


Figure 16:

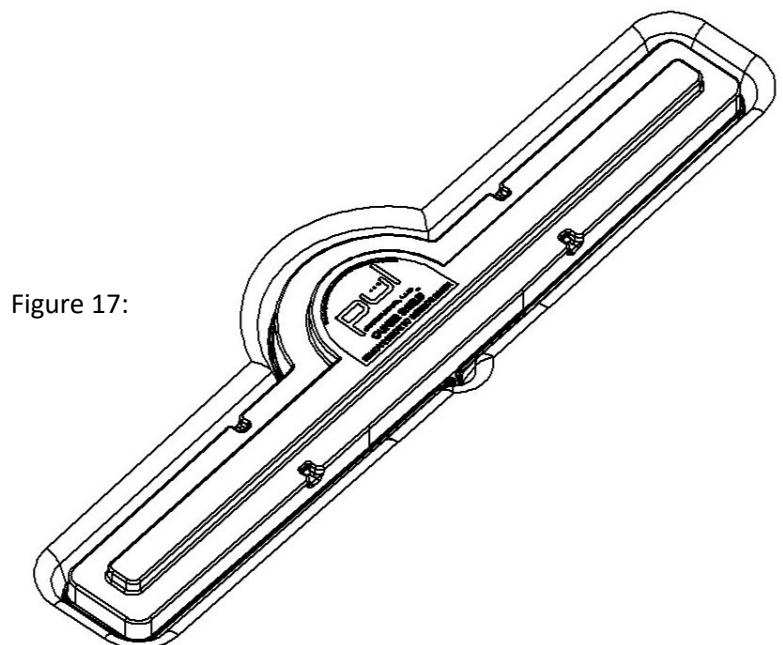


Figure 17:

pulcollekt_LD1

ADJUSTABLE ANGLE UPPER GRATE

Each PULCollekt_LD1 drain assembly has the ability to adjust the height and angle of the Upper Grate by up to 2 inches to accommodate any variations in the concrete shell and to fine tune the final height and angle of the interior finish.

These adjustments should be made at the time of pool interior finish installation.

To access the Height/Angle Adjustment Screws you must first remove the snap-on Gunite Shield to expose the top of the Upper Grate and the screws located at each end of the Drain Assembly. **(Fig. 18)**

As you unscrew the Height/Angle Adjustment Screws the Upper Grate will lift increasing the angle from either side. **(Fig. 19)**

This adjustment is limited to 2".

Unscrewing both Adjustment Screws will lift the entire Upper Grate, shallowing the pool. **(Fig. 20)**

Figure 18:

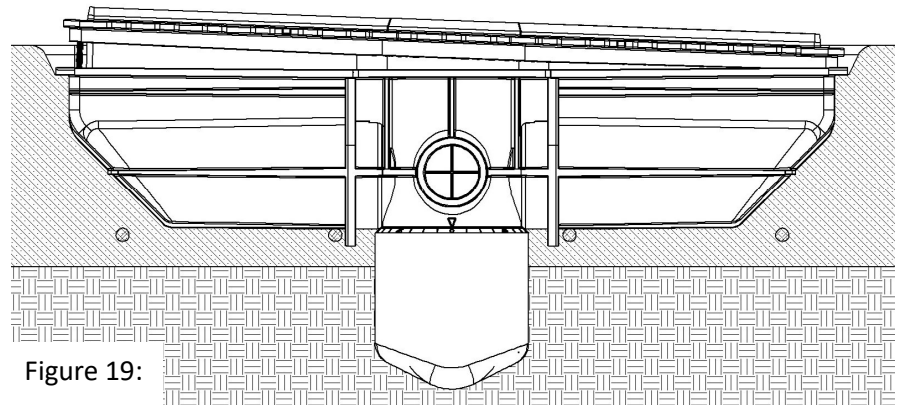
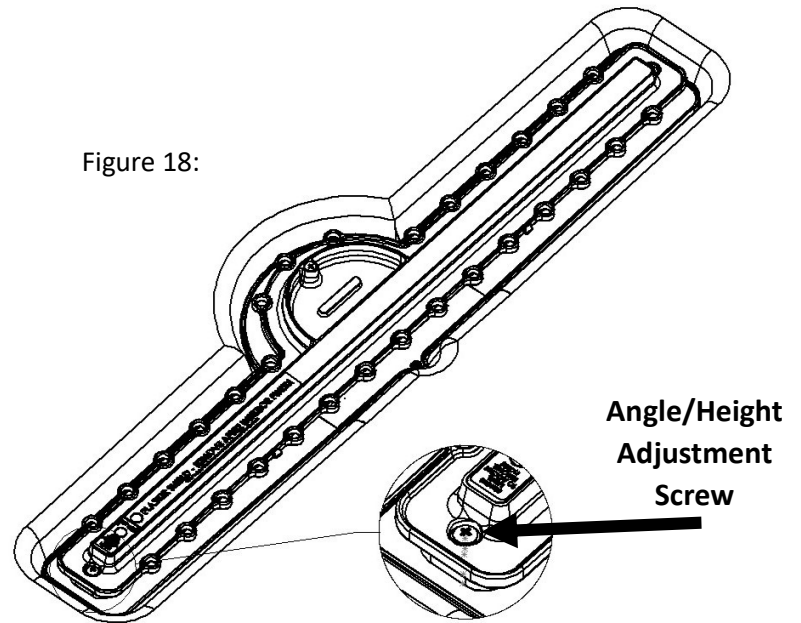


Figure 19:

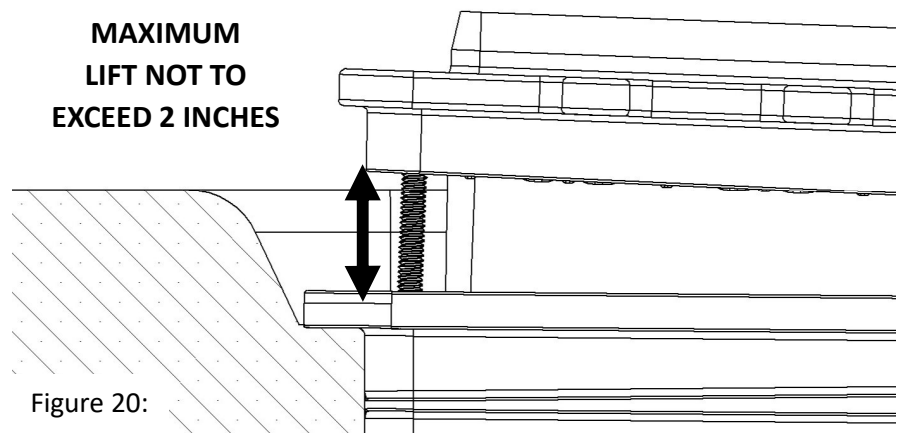


Figure 20:

SEALING COMPOUND & INTERIOR FINISH INSTALLATION

Use a sealing compound that is compatible with the interior finish to fill the space between the concrete and water stop flanges to ensure a water-tight seal. **(Fig. 21)**

Examples of common sealing compounds include: Hydraulic Cement, Topping Mix Cement, Thoro Acryl®60 by ChemRex® or equivalent.

Install the interior finish as normal. Packing the finish tightly around the entire drain opening to ensure a water-tight seal. The pool finish should be flush with the top finish edge of the drain **(Fig. 22)**

The pre-installed fillable Cap is designed to be filled at the same time as the pool interior and should be filled flush to the upper edge. **(Fig. 23)**

The Cap can be flipped over to reveal a solid plastic side for those not wanting to match the interior finish.

After interior finish, complete any curing or acid washing processes prior to moving to the next step. **(Fig. 24)**

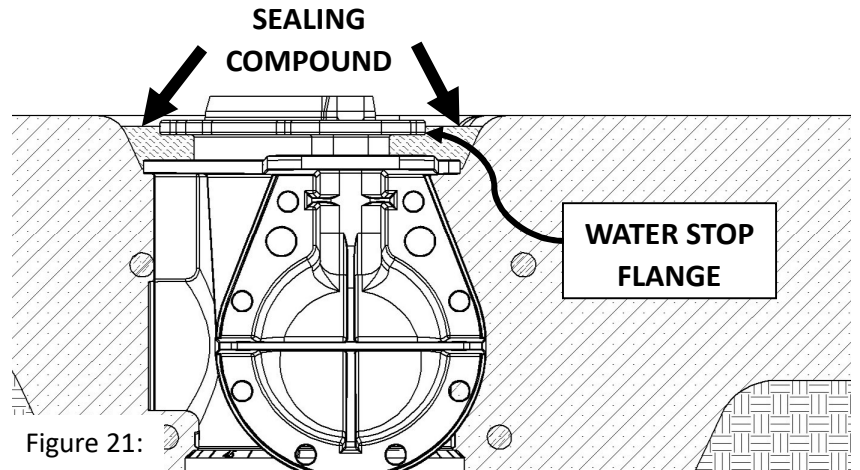


Figure 21:

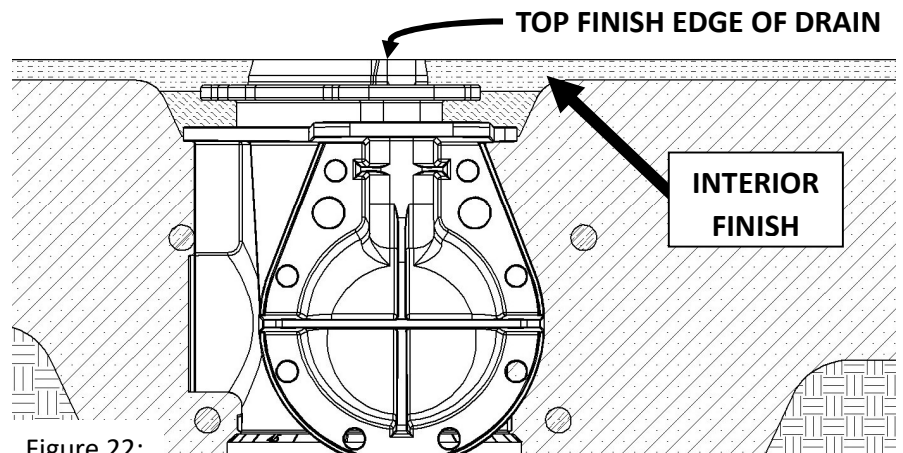


Figure 22:

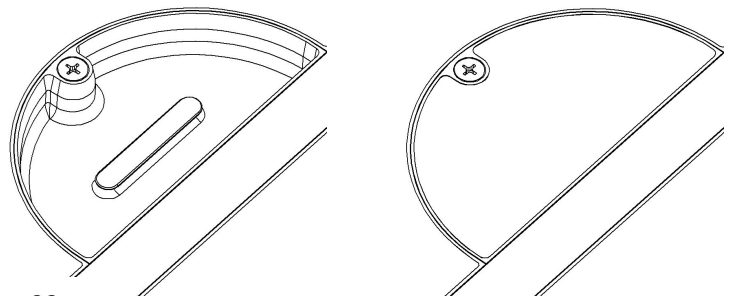


Figure 23:

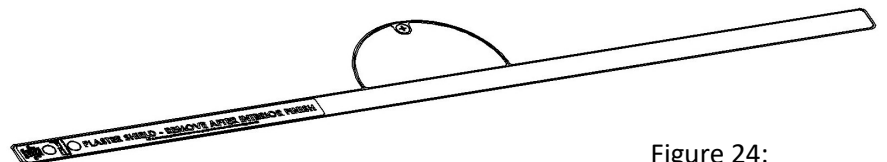


Figure 24:

pulcollekt_LD1

PLASTER SHIELD & CAP REMOVAL

Prior to filling the pool, the installer must first remove the Plaster Shield and Pressure Plug.

Pulling up on the edge of the label included with the plaster shield will reveal two removal holes in the foam. (**Fig. 25**)

Use the removal holes to pull up on the Plaster Shield removing it from the drain body. (**Fig. 26**)

Using a manual Philips screwdriver, loosen and remove the screw securing the Cap. Slide the Cap inward and lift to remove the Cap from the drain body to reveal the Pressure Plug.

Prior to removal of the Pressure Plug verify that all pressure has been released from the plumbing system.

Failure to release system pressure could result in severe injury when removing the Pressure Plug.

Unscrew and remove the plug & save for winterization.

Reinstall the Cap using the original screw & tighten by hand – **NO POWER TOOLS!**

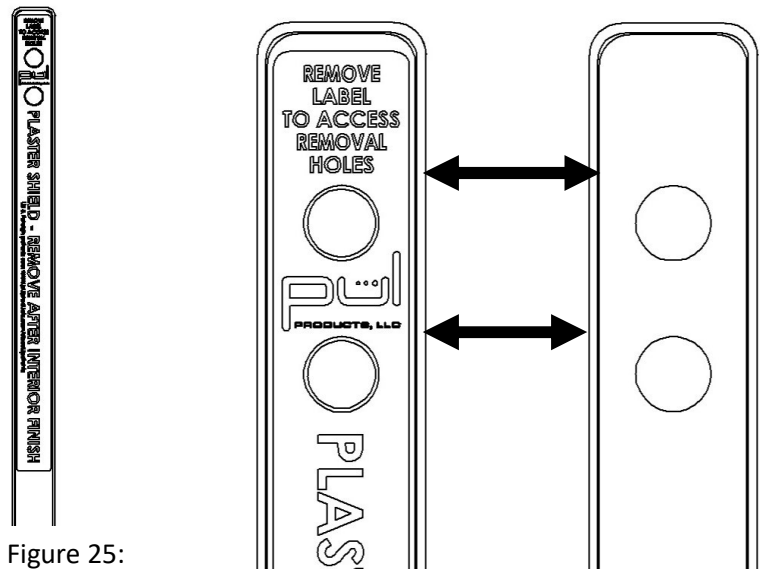


Figure 25:

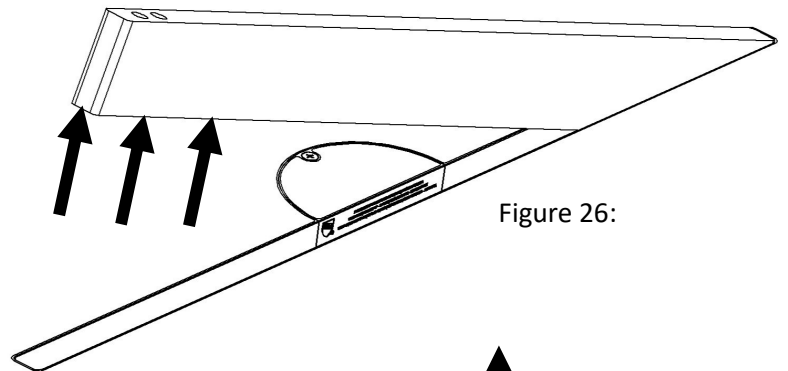


Figure 26:

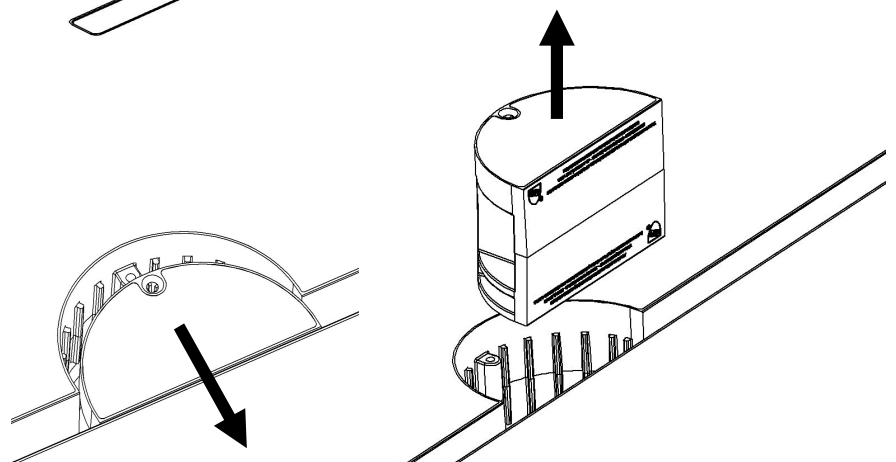


Figure 27:

pulcollekt_LD1

PRESSURE PLUG REMOVAL

Prior to removal of the Pressure Plug verify that all pressure has been released from the plumbing system.

Failure to release system pressure could result in severe injury when removing the Pressure Plug.

Unscrew and remove the plug & save for winterization.

Reinstall the Cap using the original screw & tighten by hand – **NO POWER TOOLS!**

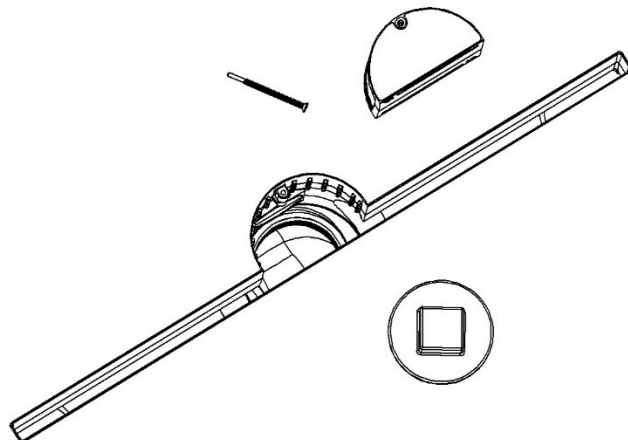


Figure 28:

WALL / VERTICAL INSTALLATION

The PULCollekt_LD1 drain has been certified for installation in the wall of a pool.

The drain must be installed in the orientation shown (With the Cap on top. **(Fig. 29)**)

The installation process defined in the floor instructions should be followed for wall installation as well.

However, there are a few minor differences:

1. The upper edge of the drain will now define the finish surface of the wall.
2. The integral level used for floor installations will not work in a vertical application. Use a torpedo level or similar to ensure that the drain slot is level and parallel to the pools tile & water lines.

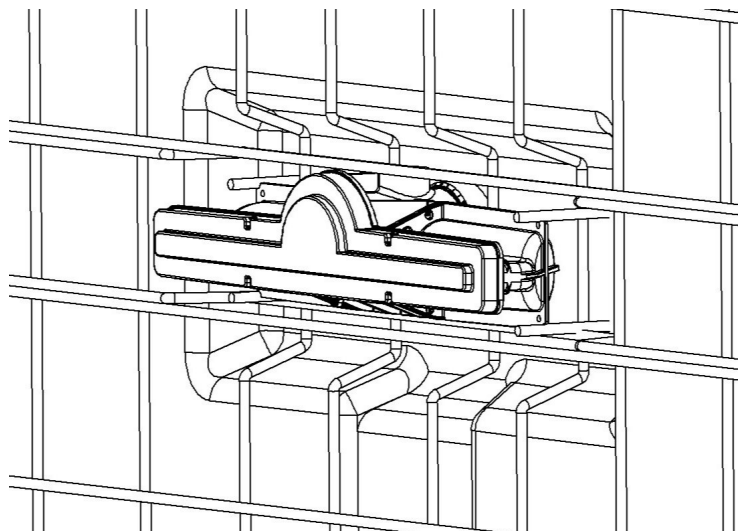


Figure 29:

