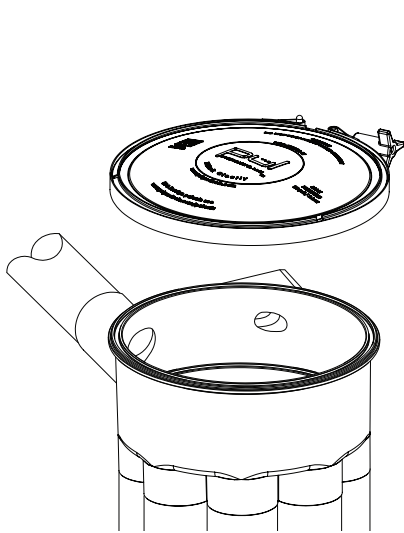


# PUL CONEKT 8-PORT VALVE CARTRIDGE INSTRUCTIONS

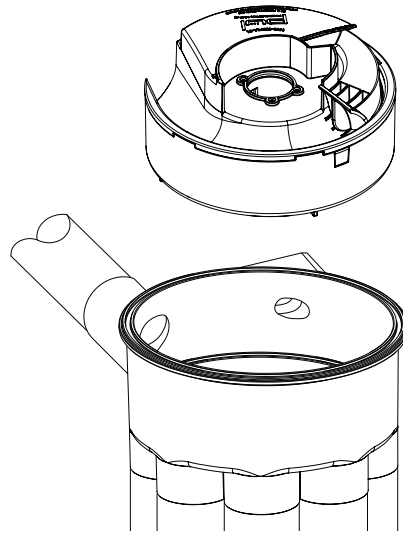
## INSTALL CONEKT 8-PORT VALVE CARTRIDGE

**WARNING: IT IS IMPERATIVE THAT THE PUMP IS TURNED OFF AND THE SYSTEM HAS BEEN DEPRESSURIZED PRIOR TO REMOVAL OF BAND CLAMPS FROM THE CONEKT CONTROLLER AND CONEKT 8-PORT VALVE. DO NOT STAND OVER THE VALVE. FAILURE TO DO SO MAY CAUSE BODILY INJURY, DEATH, OR DAMAGE TO VALVE.**



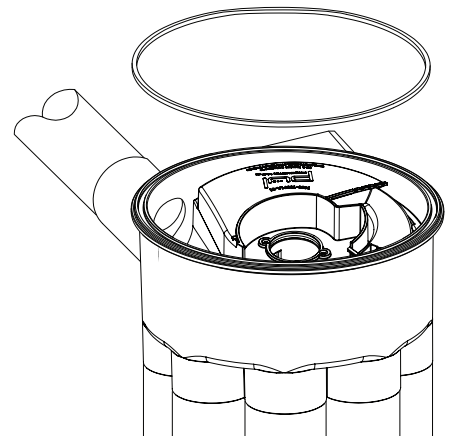
### STEP 1: TURN OFF PUMP

Before unscrewing the band clamp from the valve turn off the pump and allow for the system to depressurize.



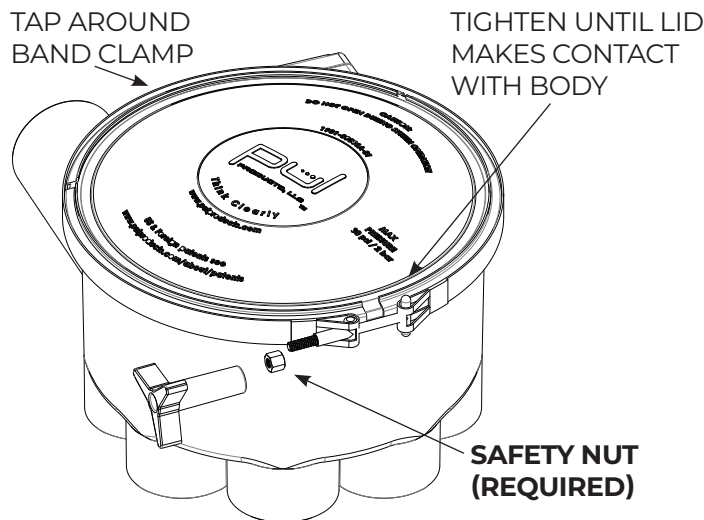
### STEP 2: INSTALL CARTRIDGE

Check to be sure the pausing mechanism is not extended. Place valve cartridge into valve body and turn until it drops into place. It can only be installed in one position.



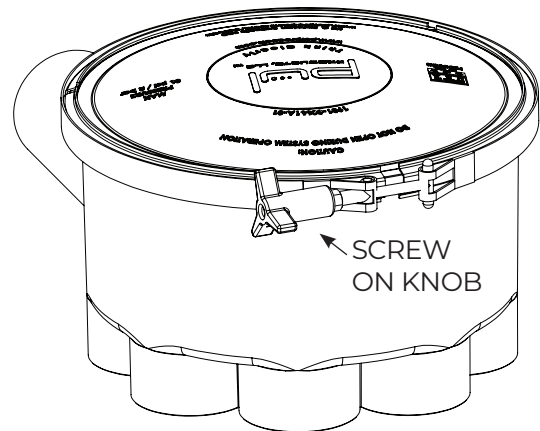
### STEP 3: REPLACE O-RING

Clean debris from valve body and install the o-ring. Place the lid on the valve body. Secure the band clamp to the valve body and lid.



### STEP 4: SECURE THE BAND CLAMP

Screw on the safety nut first. As you tighten the clamp the gap between the lid and the valve body should decrease. Tighten until the lid makes contact with the valve body. While tightening the band clamp, tap on the clamp with a screwdriver to properly secure the clamp.



### STEP 5: FINAL INSPECTION

Screw on the knob and tighten.