

# pulreturn\_LR1

## Non-Adjustable – Pre-Sealed

### PUL Return\_LR1 Installation Instructions and Owner's Manual

#### ATTENTION

**Installers must read and follow these instructions.** Once complete provide these instructions to the facility owner to keep for further reference. Follow all codes and regulations that apply to the design, installation, and use of return outlet fittings.

#### WARNING

The PUL Products Return LR1 System must be installed in accordance with PUL's written instructions manual, and in conformity with applicable Federal, State, Local, and Swimming pool industry building and safety codes.

The PULreturn\_LR1 is only to be installed as a return fitting.

**NEVER CONNECT THE PUL RETURN LR1 TO A SOURCE OF SUCTION!**

**IMPORTANT SAFETY INSTRUCTIONS:** PLEASE REVIEW THE OWNER'S MANUAL AND INSTALLATION INSTRUCTIONS IN ITS ENTIRETY AND HEED ALL SAFETY INFORMATION. Failure to follow these instructions and warnings can result in DEATH OR SERIOUS INJURY.

PUL Products LLC – 503 E Watkins St – Phoenix, AZ 85004

Phone: (833) 922 – 2418

info@pulproducts.com – www.pulproducts.com

US & Foreign patents and patents pending see [www.pulproducts.com/about/patents/](http://www.pulproducts.com/about/patents/).

# pulreturn\_LR1

## INCLUDED COMPONENTS

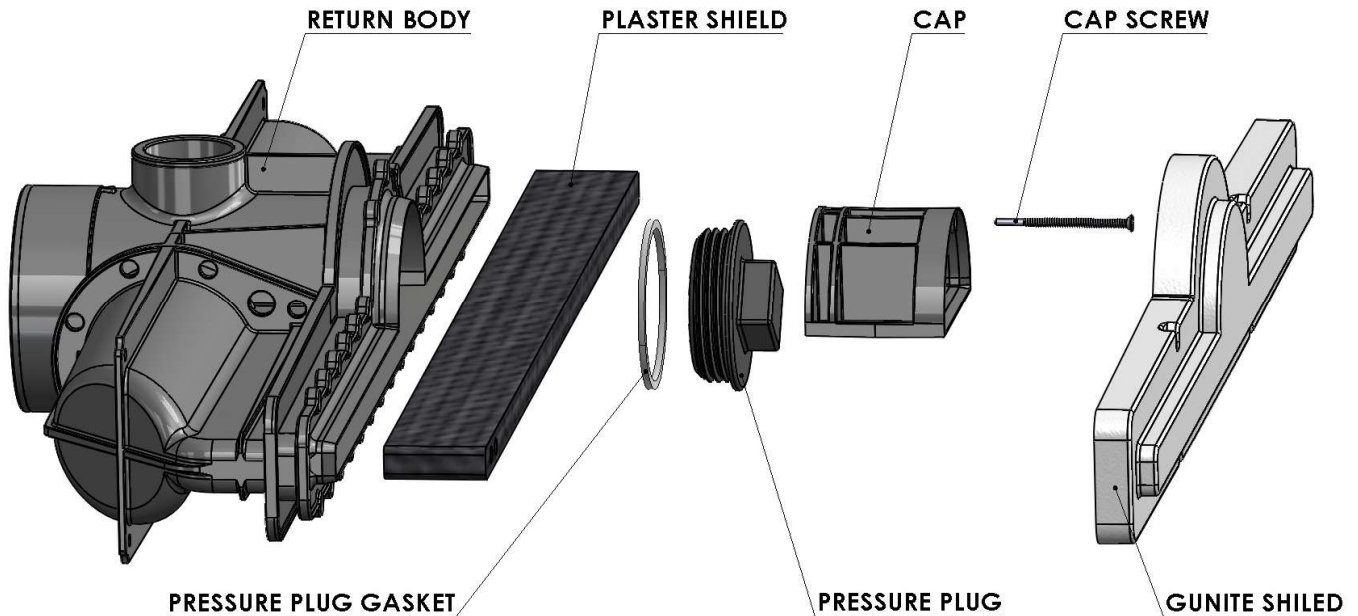


Figure 1:

DESCRIPTION	PART #
COMPLETE RETURN ASSEMBLY	2305-20002A-01
GUNITE SHIELD	2205-20013A-01
CAP SCREW	2205-80002A-01
FLIP CAP	2205-20007A-01
PRESSURE PLUG	2205-20009A-01
PRESSURE PLUG GASKET	2205-40018A-01
PLASTER SHIELD	2205-20017A-01

# pulreturn\_LR1

## INSTALLATION:

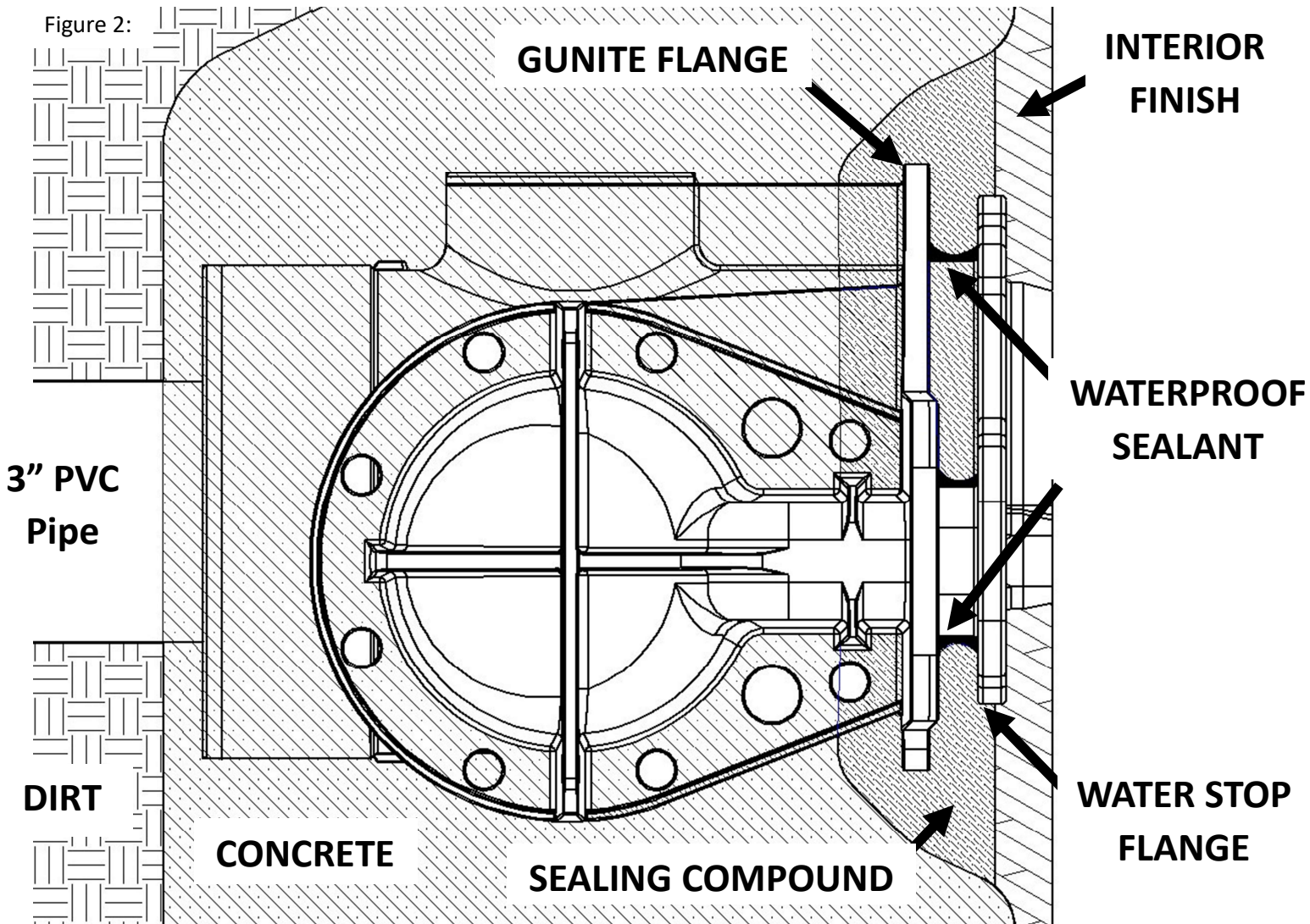
Installation of PUL Products Return LR1 System must be performed by a properly trained certified contractor following the exact installation instructions defined in this document.

The top surface of the PUL Return LR1 defines the side/bottom of the pool's interior finish. The LR1 body must be installed at a minimum of 24" from the floor of the pool & a minimum of 24" from the water line.

## ATTENTION:

This unit has had the Waterproof Sealant, shown in Fig.2 preinstalled at our factory. This unit does not have an adjustable Upper Grate.

Care must be taken to ensure that the entire return fitting is fully packed on all sides with Gunitite to provide proper sealing and support. Fully pack in the entire return with Gunitite up to 1" below the Gunitite Flange & fully pack Waterproof Sealant (Hydraulic Cement or similar) from the underside of the Gunitite Flange to the underside of the Water Stop, as shown in Figure 2 below. Failure to properly pack in this material may result in leaks and/or failure of the interior finish.



# pulreturn\_LR1

## FASTENERS:

All fasteners included with the PUL Return LD1 come preinstalled into the assembly.

Only the supplied fasteners should be used. Use of any alternate fasteners is prohibited.

### START ALL FASTENERS BY HAND TO ENSURE PROPER THREAD ENGAGEMENT

### DO NOT USE POWER TOOLS – HAND TOOLS ONLY

Removal of fasteners during pressure plug removal or winterization is acceptable but only the original or manufacturer supplied replacement fasteners may be used during reinstallation.

The **use of adhesives** to secure or repair any portion of the return is **strictly prohibited**.

## EXCAVATION & CONNECTING TO PLUMBING

Identify the location of the return in the wall or bottom of the pool, excavate the return location to provide space for the return & plumbing line.

### WALL INSTALLATION SHOWN

The upper edge of the return will determine the depth or wall surface of the pool and the final location of the interior finish.

The round access port should be oriented on top of the drain as shown. This is especially critical when located near any horizontal surface below.

Verify that the return is level in the excavated area. **(Fig.3)**

Connect the pressure side plumbing, backfill the plumbing trench and pack the dirt around pipe to secure the return and maintain level.

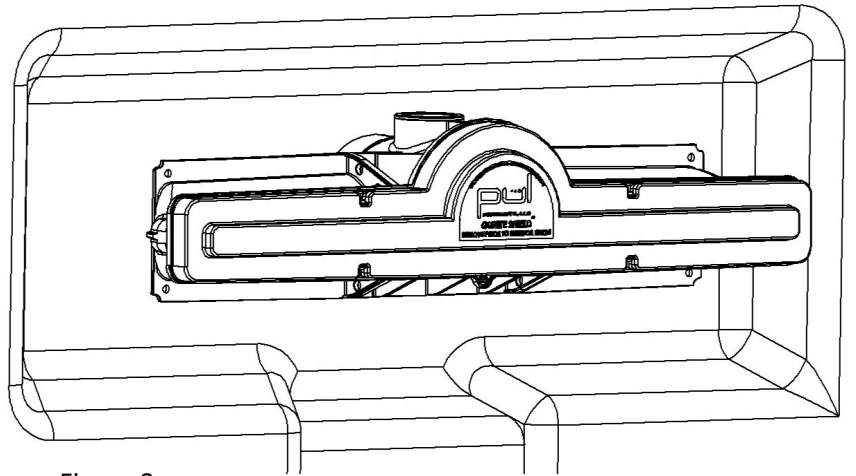


Figure 3:

**ABS – PVC Transition  
Cement is REQUIRED for  
this connection - Weld-  
On 794 or Oatey  
Transitional Cements are**

# pulreturn\_LR1

## REBAR INSTALLATION & DRAIN TIE-IN

Lay the pool's rebar cage into the floor & wall of the pool as normal. The rebar must be bent into a basket shape and routed below & around the return. (**Fig. 4**)

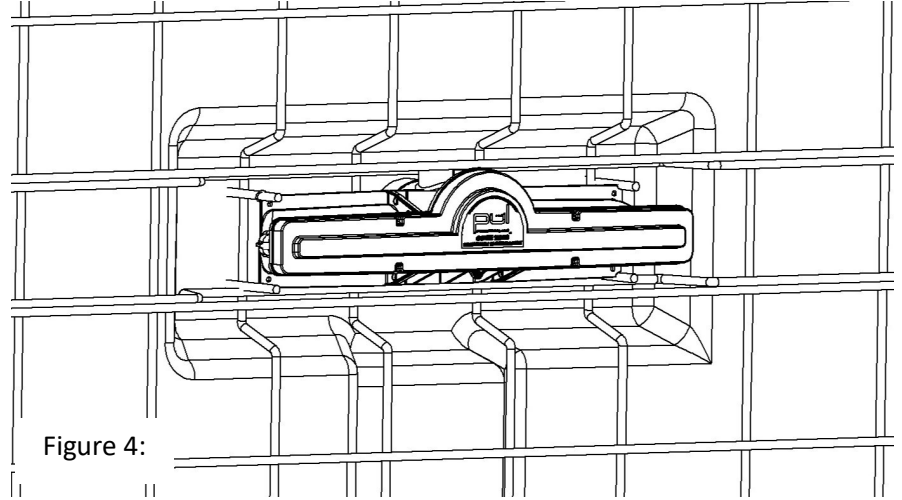


Figure 4:

The cage should be located halfway between the dirt excavation and the bottom of the return fitting. (**Fig. 5**)

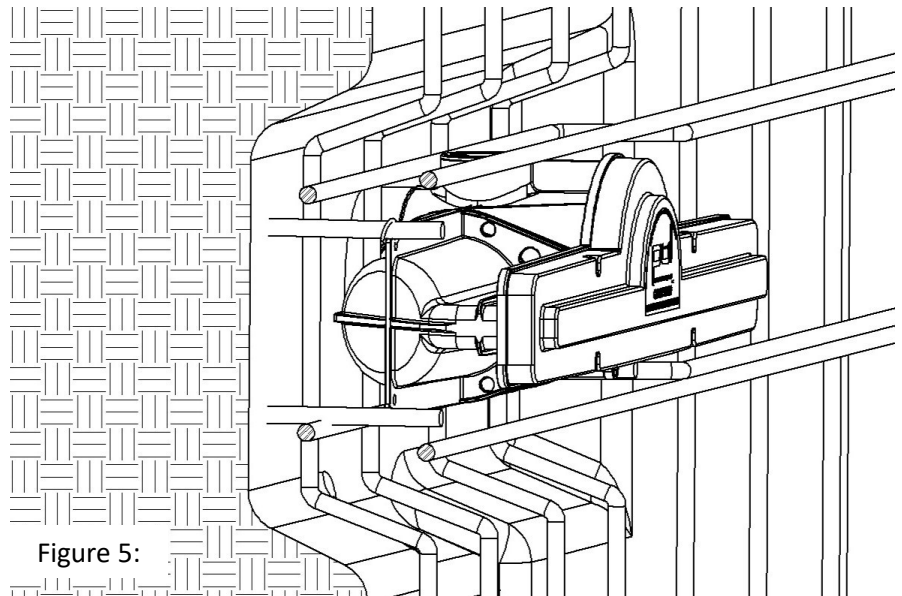


Figure 5:

# pulreturn\_LR1

## GUNITE / SHOTCRETE INSTALLATION

Shoot the concrete shell of the pool as normal making sure to fill all voids surrounding the return and rebar cage.

Failure to completely pack in all the voids surrounding the Return may result in leaks in the finished pool.

The concrete should finish to approximately  $\frac{1}{2}$  inch below the upper edge of the return opening. (**Fig. 6**)

Following concrete installation provide clearance around the entire Gunite Shield. The installer should be able to fit a finger between the Gunite Shield and the concrete down to 1" below & under the bottom edge of the Gunite Flange as shown. (**Fig. 7**)

Providing sufficient clearance is critical for proper sealing of the return, removal of the Gunite Shield and final trim adjustment prior to interior finish installation. (**Fig. 8**)

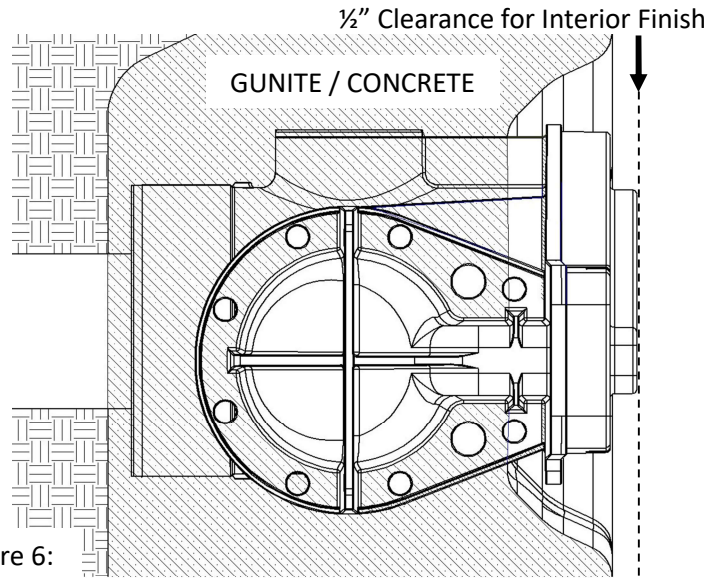


Figure 6:

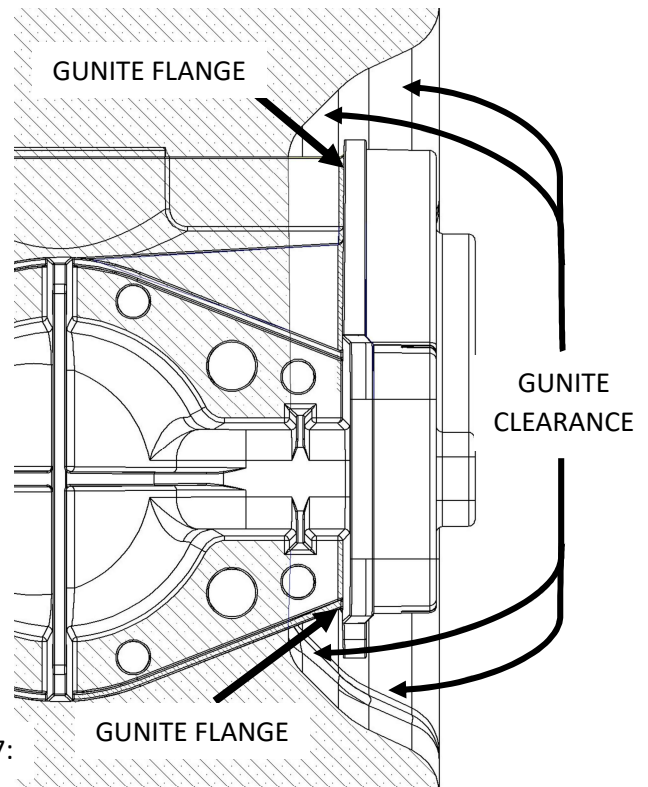


Figure 7:

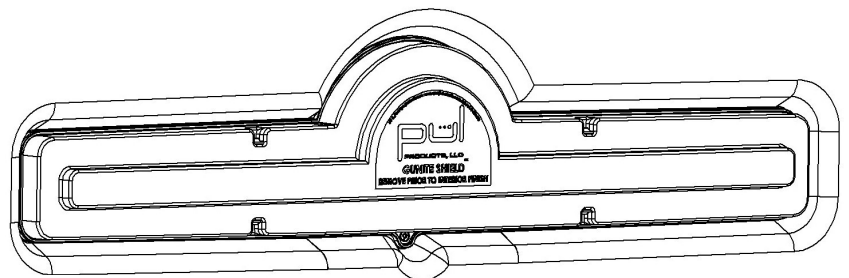


Figure 8:

# pulreturn\_LR1

## SEALING COMPOUND & INTERIOR FINISH INSTALLATION

**\*This unit has had the Waterproof Sealant shown in Fig. 9 preinstalled at our factory. This unit does not have an adjustable Upper Grate.\***

Use an approved sealing compound to fill the space between the concrete (below the Gunitite Flange) and water stop flanges to ensure a water-tight seal. (Fig. 9)

Examples of common sealing compounds include: Hydraulic Cement, Topping Mix Cement, Thoro Acryl®60 by ChemRex® or equivalent.

Pack the finish tightly around the entire return opening to ensure a water-tight seal. The pool finish should be flush with the top finish edge of the return. (Fig. 10)

The pre-installed fillable Cap is designed to be filled at the same time as the pool interior and should be filled flush to the upper edge. (Fig. 11)

The Cap can be flipped over to reveal a solid plastic side for those not wanting to match the interior finish.

After interior finish, complete any curing or acid washing processes prior to moving to the next step. (Fig. 12)

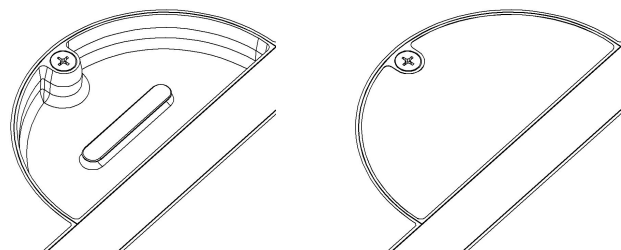
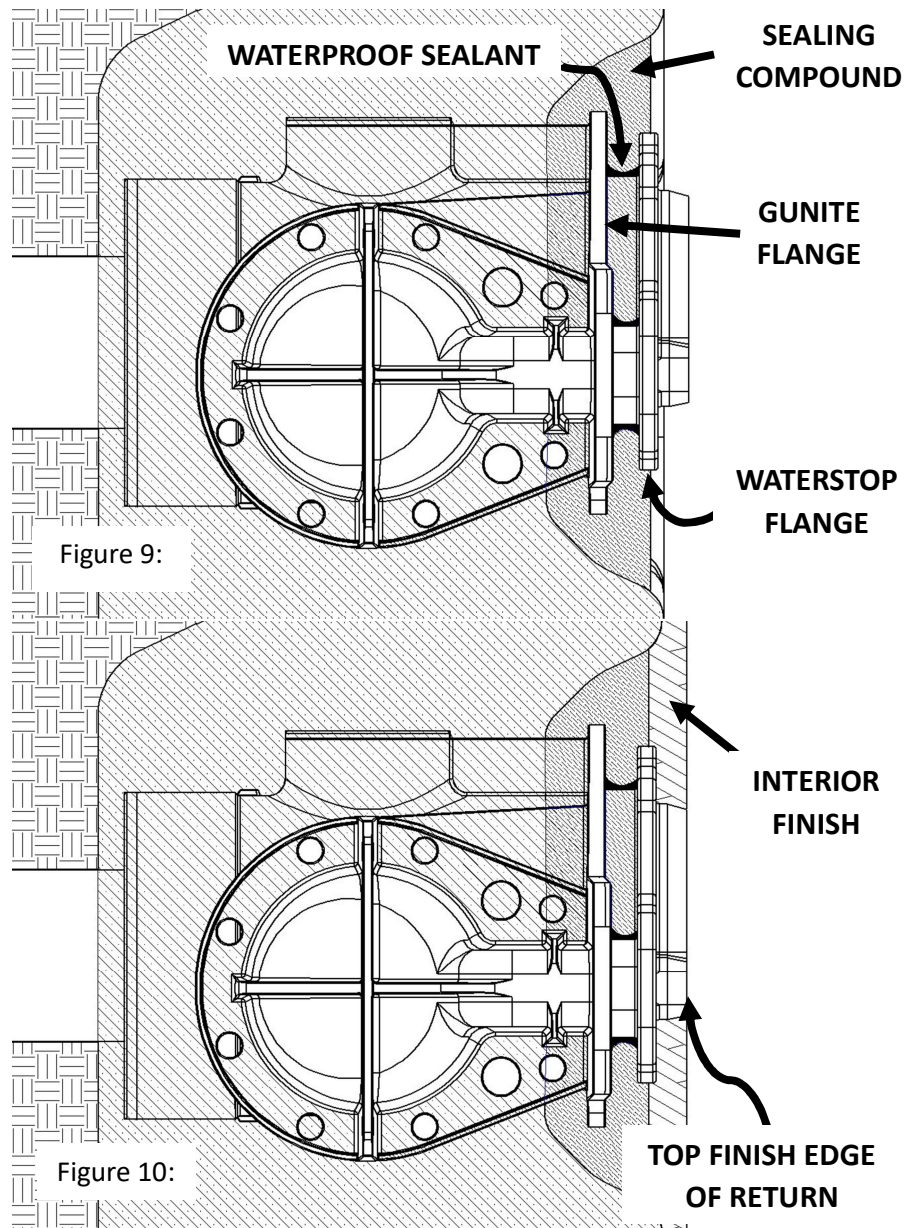


Figure 11:

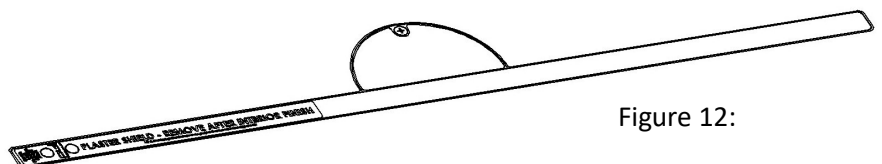


Figure 12:

# pulreturn\_LR1

## PLASTER SHIELD & PRESSURE PLUG REMOVAL

Prior to filling the pool, the installer must first remove the Plaster Shield and Pressure Plug.

Pulling up on the edge of the label included with the plaster shield will reveal two removal holes in the foam. (**Fig. 13**)

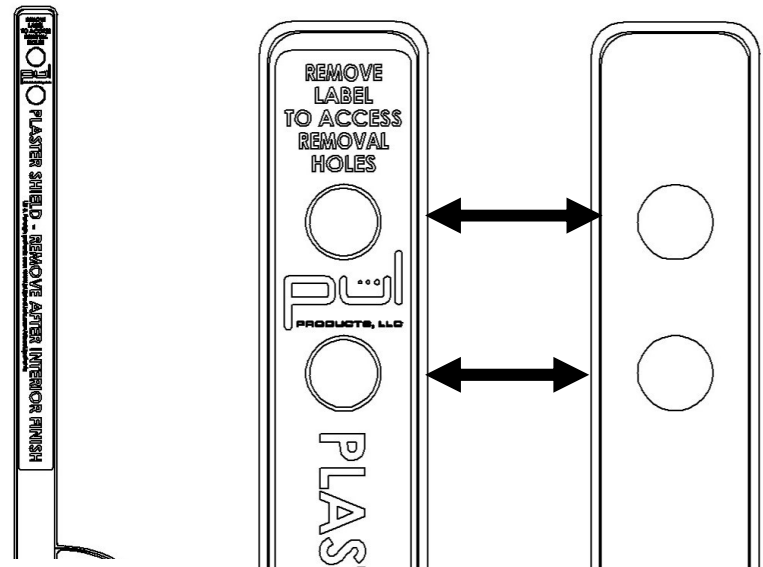


Figure 13:

Use the removal holes to pull up/out on the Plaster Shield removing it from the return body. (**Fig. 14**)

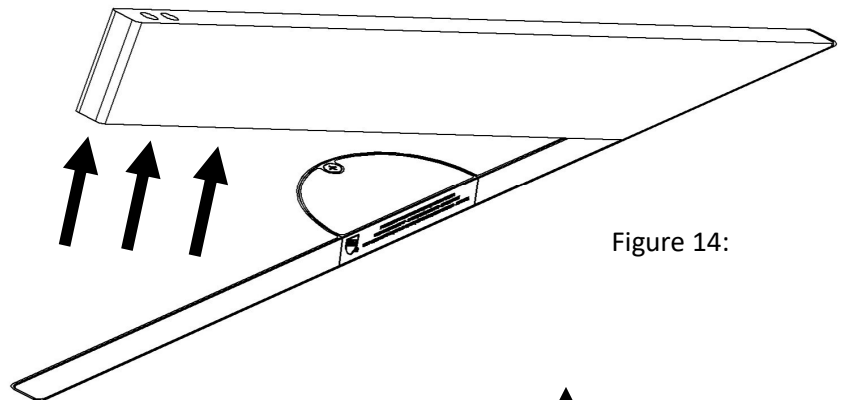


Figure 14:

Using a manual Philips screwdriver, loosen and remove the screw securing the Cap. Slide the Cap inward and lift to remove the Cap from the return body to reveal the Pressure Plug. (**Fig. 15**)

Loosen by hand – **NO POWER TOOLS!**

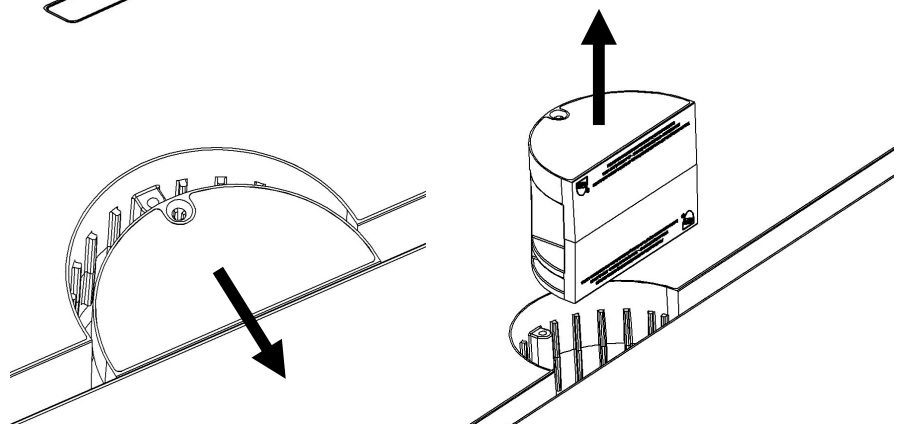


Figure 15:

# pulreturn\_LR1

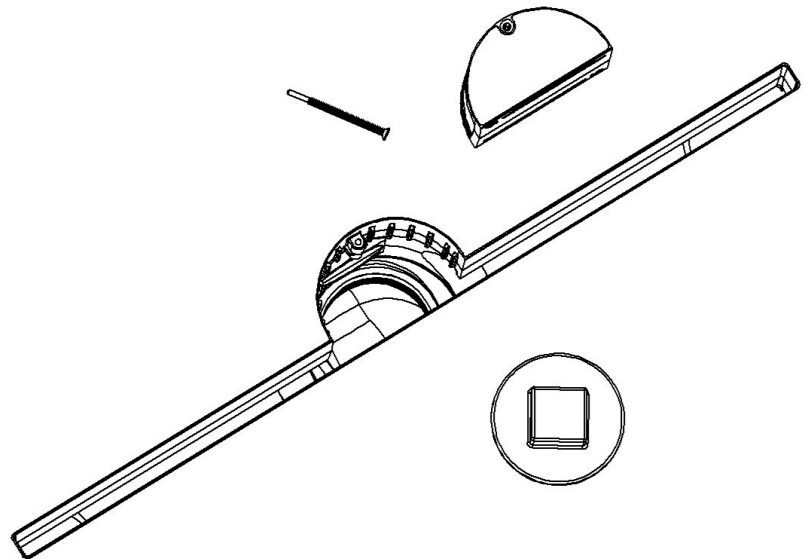
## PRESSURE PLUG REMOVAL

Prior to removal of the Pressure Plug verify that all pressure has been released from the plumbing system.

**Failure to release system pressure could result in severe injury when removing the Pressure Plug.**

Unscrew and remove the plug & save for winterization.

Reinstall the Cap using the original screw & tighten by hand – **NO POWER TOOLS!**



## PULreturn\_LR1 DIMENSIONS

